

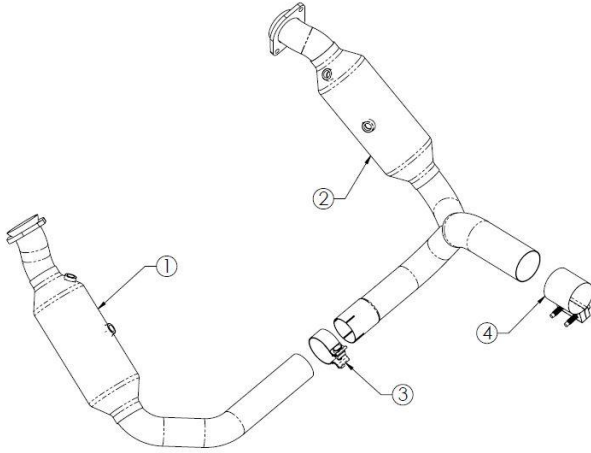


# INSTALLATION INSTRUCTIONS

Direct Fit Catalytic Converter

**MAKE:** Dodge/RAM  
**MODEL:** 1500, 1500 Classic  
**YEAR:** 09-18, 19-23  
**ENGINE:** V8-5.7L

47-42001



### EMISSIONS DISCLAIMER

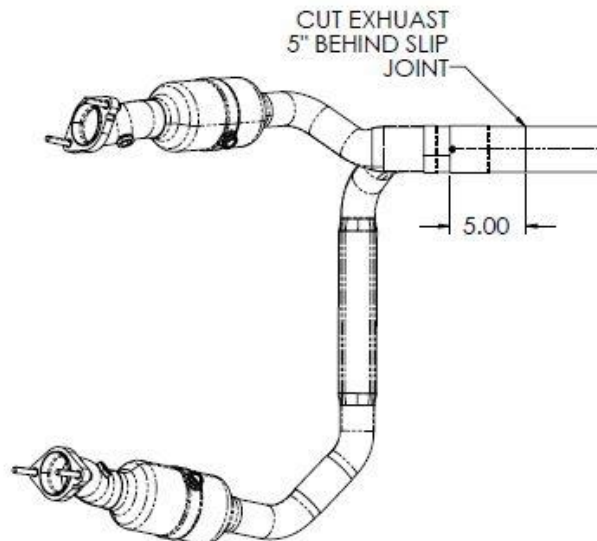
This product is EPA compliant, not for sale or use on vehicles certified for the state of California. Consult your state or local authority for any additional clarification. Replacement of catalytic converters (if equipped) is allowed only under the following conditions: 1) It is missing or stolen; 2) It is damaged or lead poisoned as determined by a state or local inspection facility; or 3) It is outside of the manufacturer's warranty period (consult your owner's manual), if none stated, 5 years or 50,000 miles.

Item	Description	Part Number	Quantity
1	Left Catalytic Converter	05-245502	1
2	Right Catalytic Converter	05-245503	1
3	2-1/2" Band Clamp	05-41061	1
4	3" Sleeve Clamp	05-410777	1

**aFe POWER recommends professional installation on this product.** Thoroughly inspect the aFe POWER exhaust system to make sure there is no damage from shipping (if damage is noted, immediately contact aFe POWER customer service). Allow time for your vehicle to cool down prior to installation. When working on your vehicle proceed with caution. Wear protective safety equipment; eye goggles and gloves to ensure a safe installation.

Install band clamps to proper torque specifications of 40-45 ft-lb.

Install V-band clamps with anti-seize lubricant and hand tighten only to torque specifications of 10-15 ft-lb.





## INSTALLATION INSTRUCTIONS

Direct Fit Catalytic Converter

**MAKE:** Dodge/RAM  
**MODEL:** 1500, 1500 Classic  
**YEAR:** 09-18, 19-23  
**ENGINE:** V8-5.7L

47-42001

1. **(Read instructions prior to installation.)** It is recommended to not fully tighten the exhaust until it has been fully installed. Leave loose for adjustability.
2. Secure vehicle on jack stands (refer to your manual for specified jack stand positions).
3. For faster installation, spread out the parts of the exhaust alongside your vehicle as shown in the diagram above.
4. Saturate nuts and bolts with penetrating oil, allow 5 minutes for penetration.
5. Disconnect oxygen sensor electrical connectors.
6. Remove bolts securing the exhaust to the manifolds.
7. Cut exhaust 5" behind factory slip joint.
8. Remove catalytic converters.
9. Move oxygen sensors from the OE catalytic converters to the aFe POWER catalytic converters.
10. Loosely install the right and left catalytic converters together with the provided 2-1/2" clamp.
11. Install the catalytic converters onto the exhaust manifolds.
12. Align the outlet of the catalytic converters and the factory exhaust, and clamp together with the provided 3" Sleeve clamp.
13. Ensure that all the components of the aFe POWER catalytic converter are aligned and are at a safe clearance from all wires, hoses, brake lines, body parts, and tires.
14. Tighten all joints and connect oxygen sensors.
15. Start the vehicle and check for any leaks. If any leaks are found, determine cause and repair as necessary.
16. Remove vehicle from jacks stands.
17. It is recommended to re-tighten all clamps and hardware after 50-100 miles.