

GT
MOMENTUM

advanced FLOW engineering Cold Air Intake System

Instruction Manual P/N: 50-70089D / 50-70089R

Make: VW

Model: Atlas

Year: 2018-2023

Engine: I4-2.0L (t)



- Please read the entire instruction manual before proceeding.
- Ensure all components listed are present.
- For technical support please call 951-493-7185.
- Ensure you have all necessary tools before proceeding.
- Do not attempt to work on your vehicle when the engine is hot.
- Retain factory parts for future use.

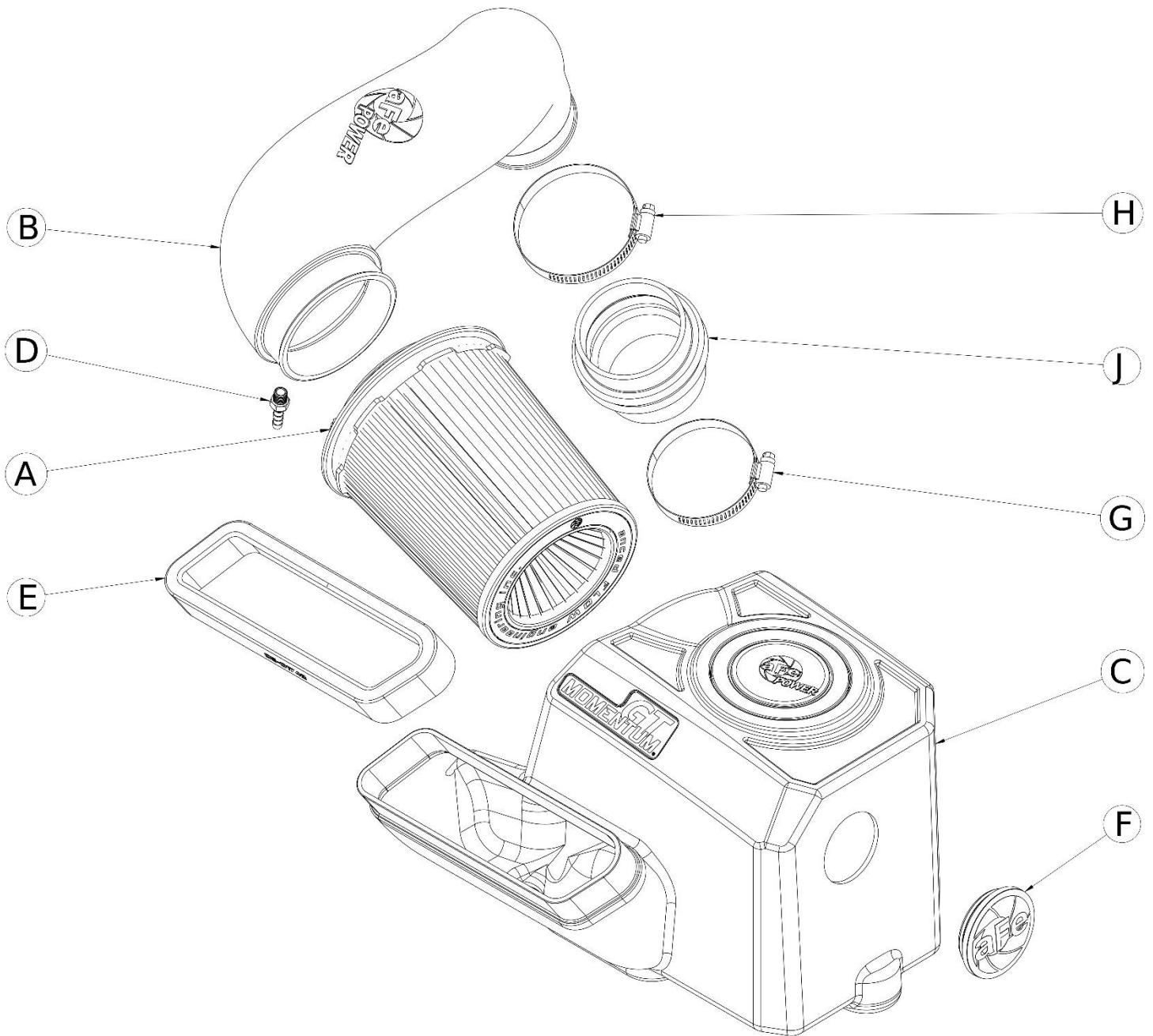
Label	Qty.	Description	Part Number
A1	1	Air Filter (Pro 5R)	24-91108
A2	1	Air Filter (Pro DRY S)	21-91108
B	1	Intake Tube	05-5070089B1
C	1	Housing	05-5070089B2
D	1	Nipple, Brs Hose: 1/4"ID x 1/8npt	03-50194
E	1	Inlet, Trim: 50-70089	05-01742
F	1	Plug, Silicone: 2.25" Dia	05-01482
G	1	Clamp, 044 (2-5/16" - 3-1/4")	03-50019
H	1	Clamp, 048 (2-9/16" - 3-1/2 ")	03-50007
J	1	Coupling, Silicone Bellow: (2.75" x 3")ID x 3"L	05-01528

Installation will require the following tools:

T-25 Torx driver, 7mm & 8mm nut drivers, 1/2" open wrench

Warranty Information available at <https://afepower.com/contact#warranty>

Emissions Disclaimer: This product is not currently CARB exempt and is not available for purchase in California or for use on any vehicle registered with the California Department of Motor Vehicles.



**Figure A****Refer to Figure A for Steps 1-2**

Step 1: Using a T25 torx driver, remove the two screws ① that secure the air intake scoop ②.

Step 2: Remove the air intake scoop and set aside with the screws.



Figure B

Refer to Figure B for Steps 3-6

Step 3: Disconnect the vacuum hose (3).

Step 4: Using a 7mm nut driver, loosen the clamp (4) at the turbo inlet.

Step 5: Disconnect the factory intake tube from the turbo inlet.

Step 6: Detach and remove the factory airbox from the three mounting pins. Remove the airbox and intake tube assembly from the vehicle.



Figure C

Refer to Figure C for Step 7

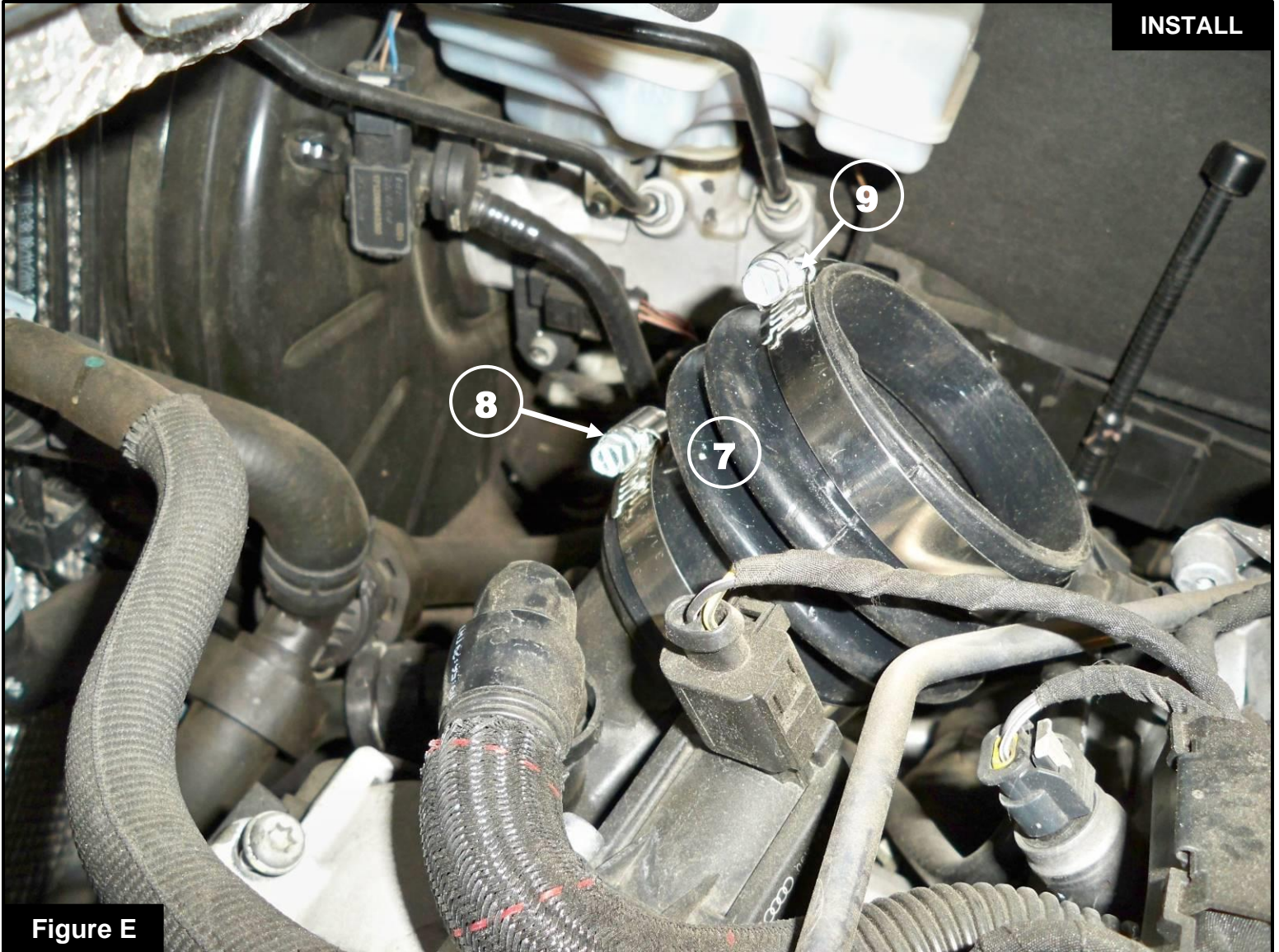
Step 7: Transfer the factory airbox grommets ⑤ to the aFe POWER housing as shown.

**Figure D****Refer to Figure D for Steps 8-10**

Step 8: Install the aFe POWER housing into the vehicle. Make sure the mounting pins snap into the rubber grommets.

Step 9: Slide the aFe POWER filter and clamp into the aFe POWER housing and push it in until it locks into place. Do not tighten the clamp at this time.

Step 10: Install the inlet seal trim (6) onto the aFe POWER housing as shown.

**Figure E****Refer to Figure E for Steps 11-12**

Step 11: Install the supplied coupling (05-01528) (7) with the smaller diameter side on the turbo inlet with the supplied #44 clamp (8) and tighten the clamp using an 8mm nut driver.

Step 12: Place the supplied #48 clamp (9) onto the other end of the coupling but do not tighten at this time.



Refer to Figure F for Steps 13-15

Step 13: Using a ½” open wrench, install the supplied barb fitting (10) on the aFe POWER intake tube. Do not overtighten, some threads will still be exposed.

Step 14: Install the aFe POWER intake tube into the coupling first and then into the air filter. Align the tube correctly and tighten the clamps using an 8mm nut driver.

Step 15: Connect the vacuum hose (11) to the barb fitting.



Figure

Refer to Figure G for Steps 16-18

Step 16: Install the air intake scoop using the screws ⑫ removed in Step 1.

Step 17: Install the aFe plug ⑬ on the side of the aFe POWER housing as shown. NOTE: This plug is accessible to be removed and installed at any time to increase airflow and engine sound if desired.

Step 18: Check all the components are tight and secure. Your installation is now complete. Thank you for choosing aFe POWER!

NOTE: Check all bolts, clamps, and connectors after 100-200 miles.



Page left blank intentionally



advanced FLOW engineering, inc.

Corona, CA 92879

<https://afepower.com/contact>