

# *aFe Control Front Tow Hook Chevrolet C8 Corvette*

**Product Number:** 450-401014-B, 450-401014-G, 450-401014-L, 450-401014-R  
**Installation Time:** 5 min.



**Recommended Tools:**

Sockets: 7/8" or 22mm, 15mm

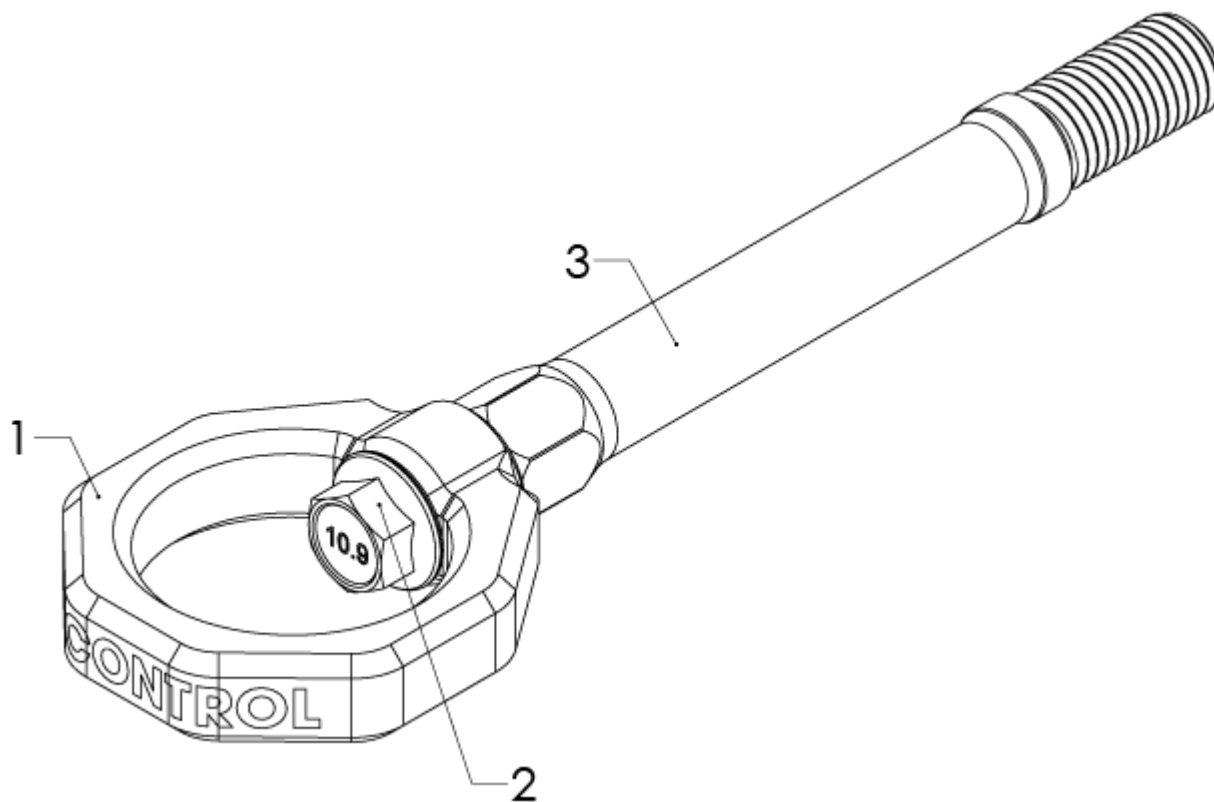
**Parts List:**


Diagram #	Part No.	Description	Qty.
1	00P-0P2535-R	Loop, Tow Hook Red	1
	00P-0P2535-L	Loop, Tow Hook Blue	1
	00P-0P2535-B	Loop, Tow Hook Black	1
	00P-0P2535-G	Loop, Tow Hook Gray	1
2	00P-0P2647-B	Stem, 7"L GM	1
3	00P-0C1700-B	Bolt, M12-1.75x40 Hex Flange	1

**Installation:**

- 1 Pop plastic tow hook cover off by carefully prying the bottom using a plastic trim tool. Tip: Apply tape to the area you intend to pry on to protect the paint.



- 2 Install the tow hook stem into the factory threaded hole. The male threads of the stem are pre-coated with Vibra-tite. Both the stem and bolt threads are pre-coated with Vibra-tite threadlocker. This keeps your tow hook from loosening due to vibration. The special threadlocker is designed to remain flexible, removable, and reusable. Fully tighten stem with a 7/8" or 22mm socket.



- 3 Install the tow hook loop and M12 flange bolt using a 15mm socket.



You are finished with the installation.

