

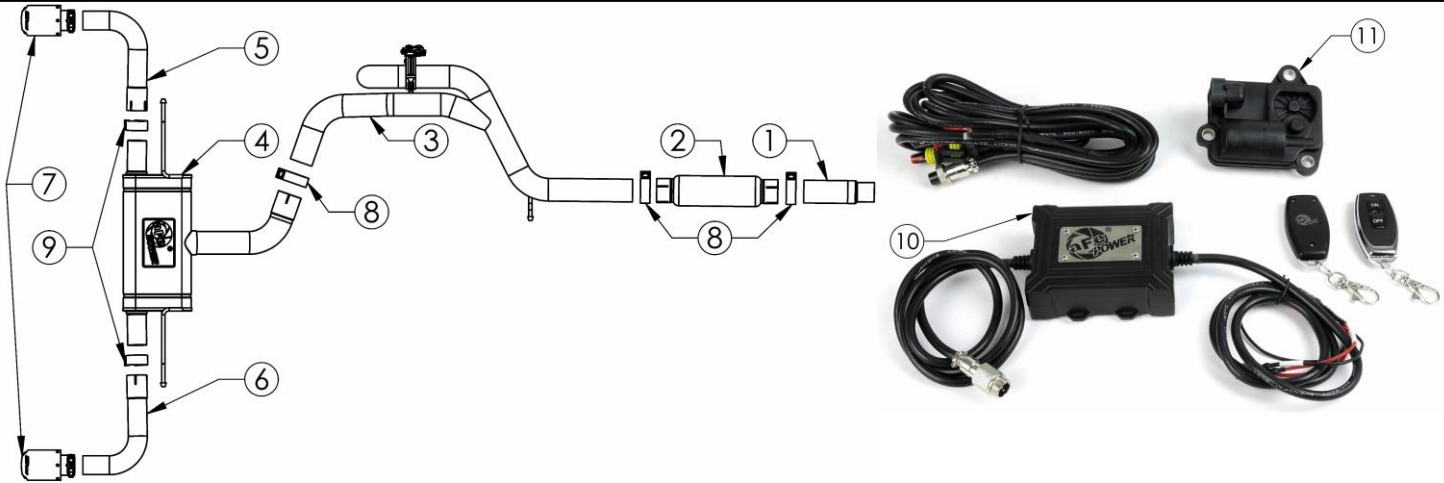


# INSTALLATION INSTRUCTIONS

**MAKE:** Volkswagen  
**MODEL:** GTI MK VIII  
**YEAR:** 2022-2023  
**ENGINE:** L4-2.0L (t)

**Cat-Back Exhaust**

49-36451-B  
 49-36451-C  
 49-36451-P



Item	Description	Part Number	Quantity
1	Front Pipe	05-245381	1
2	Resonator, 4" x 16"	R49-91042	1
3	Muffler Bypass Assembly	05-245382	1
4	Muffler Assembly	05-245383	1
5	Driver Side Tailpipe	05-245384	2
6	Passenger Side Tailpipe	05-245385	1
7	EXH Tip 2-1/2 In x 4 Out x 7L Bolt-On Blk	49T25404-B06	2
7	EXH Tip 2-1/2 In x 4 Out x 7L Bolt-On CF	49T25404-C07	2
7	EXH Tip 2-1/2 In x 4 Out x 7L Bolt-On Pol	49T25404-P06	2
8	Clamp, Band: 3"	05-41055	3
9	Clamp, Band: 2-1/2"	05-41061	2
10	Controller, Exhaust Valve	05-70041	1
11	Motor, Exhaust Valve: 12 Volt	05-70042	1

**aFe POWER recommends professional installation on this product.** Thoroughly inspect the aFe POWER exhaust system to make sure there is no damage from shipping (if damage is noted, immediately contact aFe POWER customer service). Allow time for your vehicle to cool down prior to installation. When working on your vehicle proceed with caution. Wear protective safety equipment; eye goggles and gloves to ensure a safe installation.

Install band clamps to proper torque specifications of 40-45 ft-lb.

Install V-band clamps with anti-seize lubricant and hand tighten only to torque specifications of 10-15 ft-lb.

- (Read instructions prior to installation.)** It is recommended to not fully tighten the exhaust until it has been fully installed. Leave loose for adjustability.
- Secure vehicle on jack stands (refer to your manual for specified jack stand positions).
- For faster installation, spread out the parts of the exhaust alongside your vehicle as shown in the diagram above.
- Secure the stock exhaust with jack/stands.
- Remove the (x2) O.E. Rubber Isolation Bracket assemblies from the vehicle. These will be transferred to the aFe Power exhaust.
- Remove the O.E. Front Muffler Hanger from the Rubber Isolation Mount.
- Loosen the (x2) nuts on the sleeve clamp and slide the sleeve clamp towards the front of the car. Slide out the O.E. Exhaust.
- Remove the (x2) undertray screws on both passenger and driver side sections that cover the Cross Brace.



## INSTALLATION INSTRUCTIONS

**MAKE:** Volkswagen  
**MODEL:** GTI MK VIII  
**YEAR:** 2022-2023  
**ENGINE:** L4-2.0L (t)

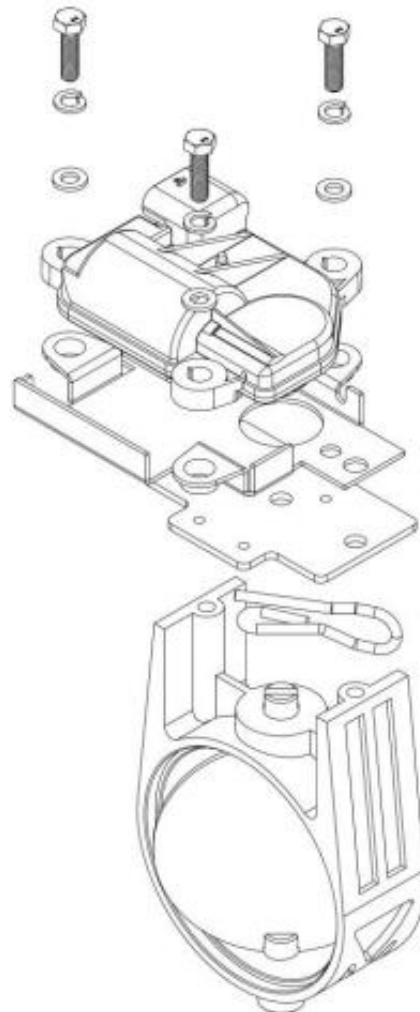
**Cat-Back Exhaust**

49-36451-B

49-36451-C

49-36451-P

9. Remove the (x4) nuts holding the Cross Brace and remove Cross Brace.
10. Remove the O.E. Exhaust from the vehicle.
11. Remove all the hardware holding the driver side undertray to the vehicle. Remove the Undertray.
12. Install the aFe Power Front Pipe using the O.E. Sleeve Clamp.
13. Install the aFe Power Resonator to the aFe Power Front Pipe using the supplied 3" Band Clamp.
14. Install the aFe Power Muffler Bypass Assembly to the aFe Power Resonator using the supplied 3" Band Clamp. Slide the hanger into the vehicle's Rubber Isolation Mount.
15. Install the (x2) O.E. Rubber Isolation Bracket Assemblies to the aFe Power Muffler Assembly.
16. Install the aFe Power Muffler Assembly to the aFe Power Muffler Bypass Assembly using the supplied 3" Band Clamp. Install the Rubber Isolation Bracket Assemblies back onto the vehicle using the O.E. hardware.
17. Install the Driver Side Tailpipe to the aFe Power Muffler Assembly using the supplied 2.5" Band Clamp.
18. Install the Passenger Side Tailpipe to the aFe Power Muffler Assembly using the supplied 2.5" Band Clamp.
19. Install the aFe Power Exhaust Tips to the Passenger/Driver Side Tail Pipes.
20. Reinstall the Cross Brace using the (x4) O.E. Nuts and re-tighten passenger side undertray hardware covering Cross Brace nuts.
21. Install the Exhaust Valve Motor to the Muffler Bypass Assembly using the supplied hardware. **Refer to FIG 1 Below.**





## INSTALLATION INSTRUCTIONS

**MAKE:** Volkswagen  
**MODEL:** GTI MK VIII  
**YEAR:** 2022-2023  
**ENGINE:** L4-2.0L (t)

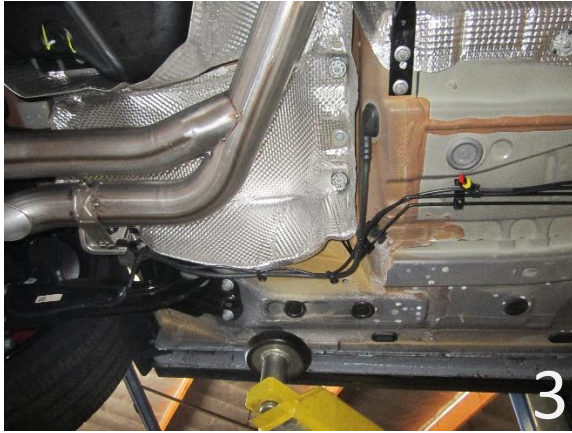
**Cat-Back Exhaust**

49-36451-B

49-36451-C

49-36451-P

22. Run Wiring Harness along the brake lines on the Driver Side towards the engine compartment shown in **FIG 2** and **FIG 3**. Secure using supplied Zip Ties.



23. In the engine compartment zip tie the control box along the wire harness next to the battery. Run the wire ring terminals to the battery and run the rest of the wire down the back of the firewall to meet the rest of the wire harness. Use provided zip ties to secure the wire. **Refer to FIG 5 and FIG 6.**



24. Connect the wire harness together. Organize any other loose wires and secure with zip ties  
25. Plug Wire Harness into Exhaust Valve Motor.  
26. Reinstall the driver side undertray using O.E. hardware.  
27. Ensure that all the components of the aFe POWER exhaust system are aligned and are at a safe clearance from all wires, hoses, brake lines, body parts, and tires.  
28. Start from the front of the aFe exhaust system and evenly tighten all clamps and fasteners.  
29. Start the vehicle and check for any leaks. If any leaks are found, determine cause and repair as necessary.  
30. Remove vehicle from jacks stands.  
31. It is recommended to re-tighten all clamps and hardware after 50-100 miles.