

advanced FLOW engineering

Cold Air Intake System

Instruction Manual P/N: 56-70045D / 56-70045R

Make: MAZDA

Model: 3

Year: 2021-2022

Engine: L4-2.5L (t)



- Please read the entire instruction manual before proceeding.
- Ensure all components listed are present.
- For technical support please call 951-493-7185.
- Ensure you have all necessary tools before proceeding.
- Do not attempt to work on your vehicle when the engine is hot.
- Retain factory parts for future use.

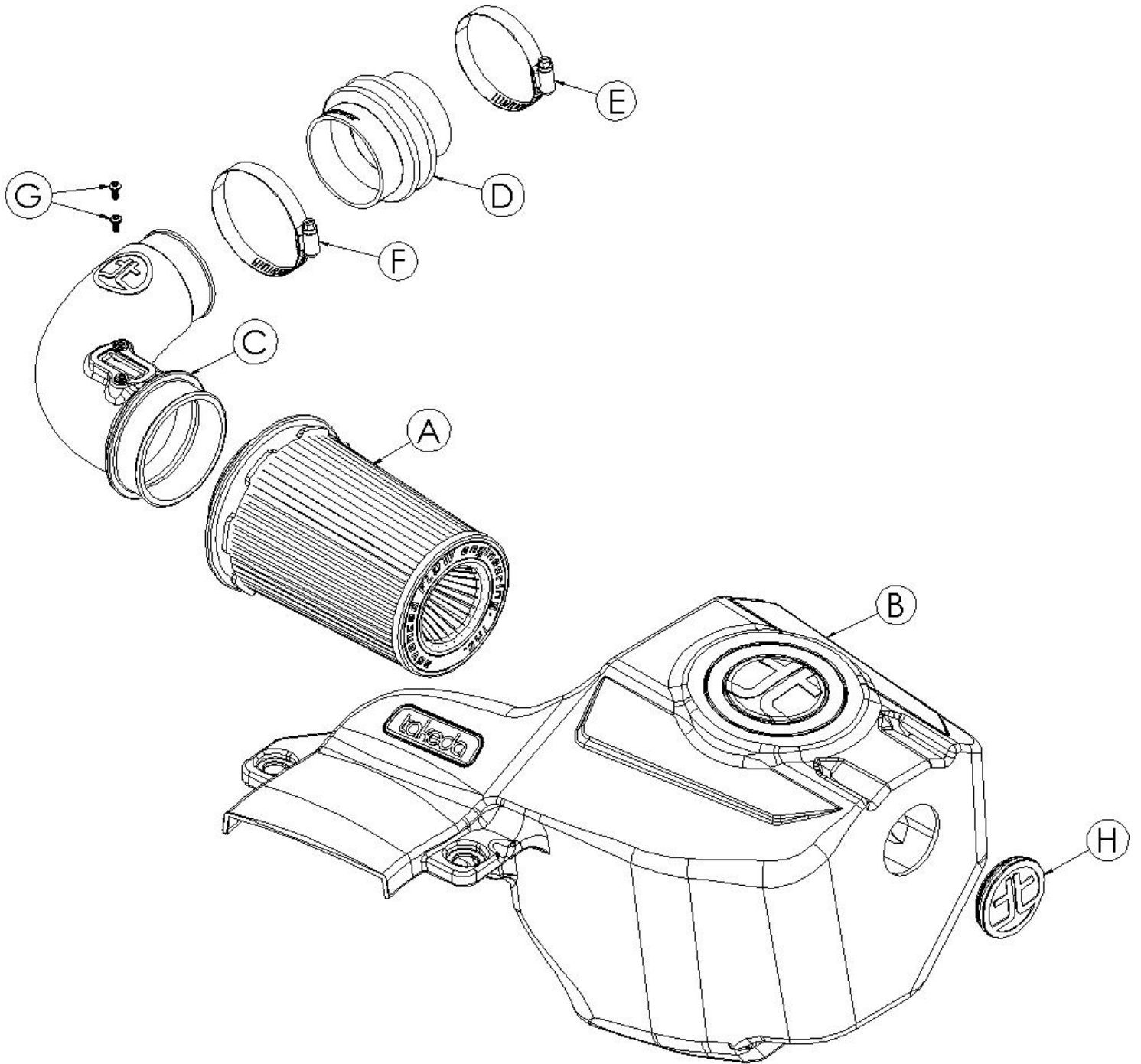
Label	Qty.	Description	Part Number
A1	1	Air Filter (Pro 5R)	24-91103
A2	1	Air Filter (Pro DRY S)	21-91103
B	1	Housing	05-5670044B2
C	1	Intake Tube	05-5670045B1
D	1	Coupling, Silicone Reducer	05-01710
E	1	Clamp, #044	03-50019
F	1	Clamp, #048	03-50007
G	2	Screw, Torx: M4 x 10mm	03-50490
H	1	Plug, Silicone	05-01527

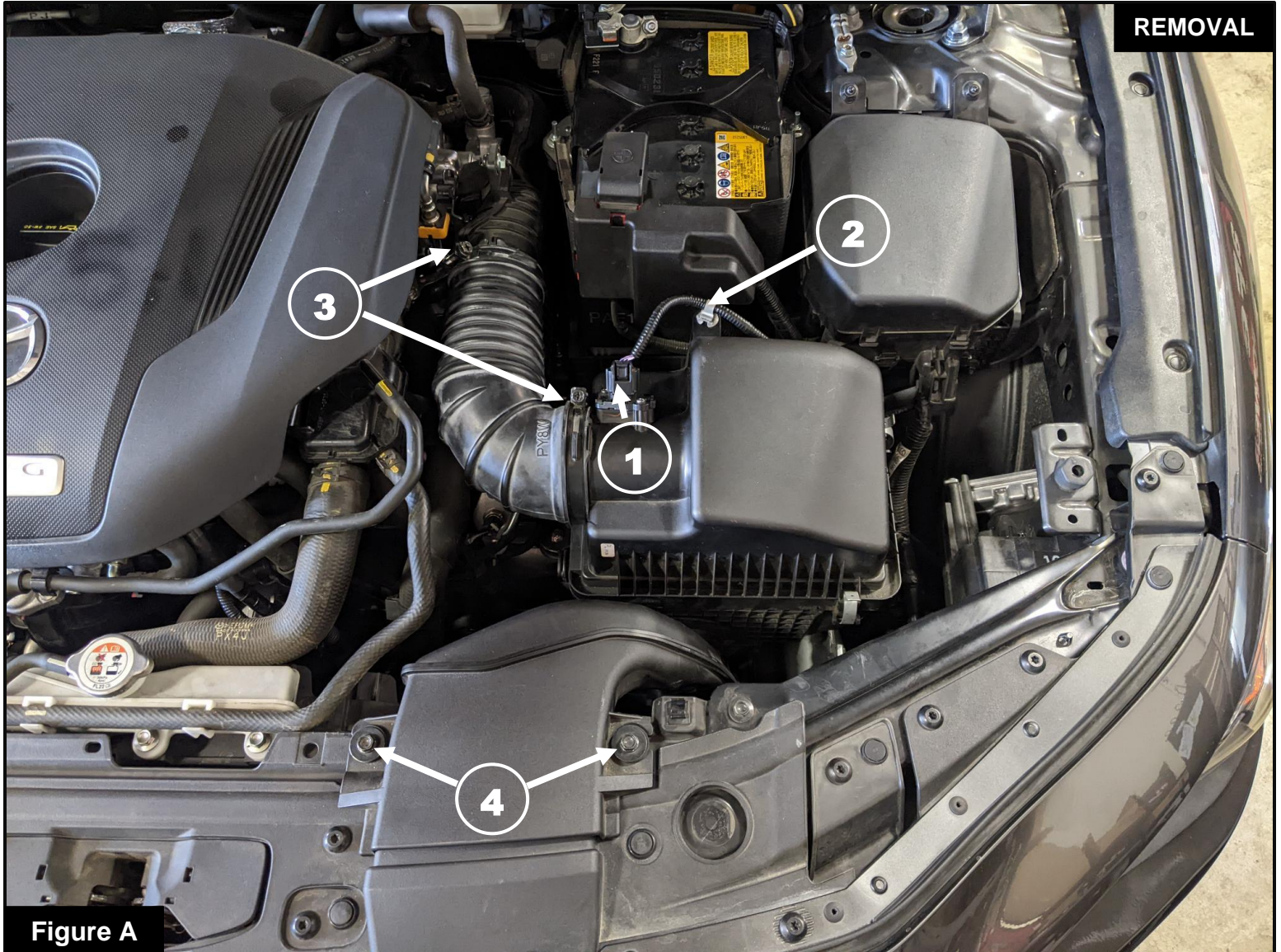
Installation will require the following tools:

8mm nut driver, 10mm nut driver, T20 Torx driver, #1 Philips screwdriver

Warranty Information available at <https://afepower.com/contact#warranty>

Emissions Disclaimer: This product is not currently CARB exempt and is not available for purchase in California or for use on any vehicle registered with the California Department of Motor Vehicles.





Refer to Figure A for Steps 1-4

Step 1: Disconnect the Mass Airflow (MAF) sensor (1) and wire harness clip (2).

Step 2: Loosen the two (2x) clamps (3) on the factory intake tube using a 10mm nut driver.

Step 3: Remove the two (2x) screws (4) securing the factory scoop to the core support using a 10mm nut driver.

Step 4: Remove the entire factory intake assembly by removing the tube end from the turbo inlet, then pulling the filter housing straight up off the mounting grommets.



Figure B

Refer to Figure B for Step 5

Step 5: Transfer the two (2x) factory grommets and steel inserts (5) from the factory intake scoop to the slotted openings (6) on your Takeda filter housing.

**Figure C****Refer to Figure C for Step 6**

Step 6: Transfer two (2x) factory mounting grommets ⑦ from the factory airbox to your Takeda filter housing in the appropriate mounting holes ⑧.

**Figure D****Refer to Figure D for Steps 7-8**

Step 7: Install your Takeda filter housing into the vehicle, lining up the two (2x) mounting grommets on the stock mounting locations.

Step 8: Secure the front of the housing using the two (2x) screws ⑨ removed in step #3. Tighten using a 10mm nut driver.



Figure E

Refer to Figure E for Step 9

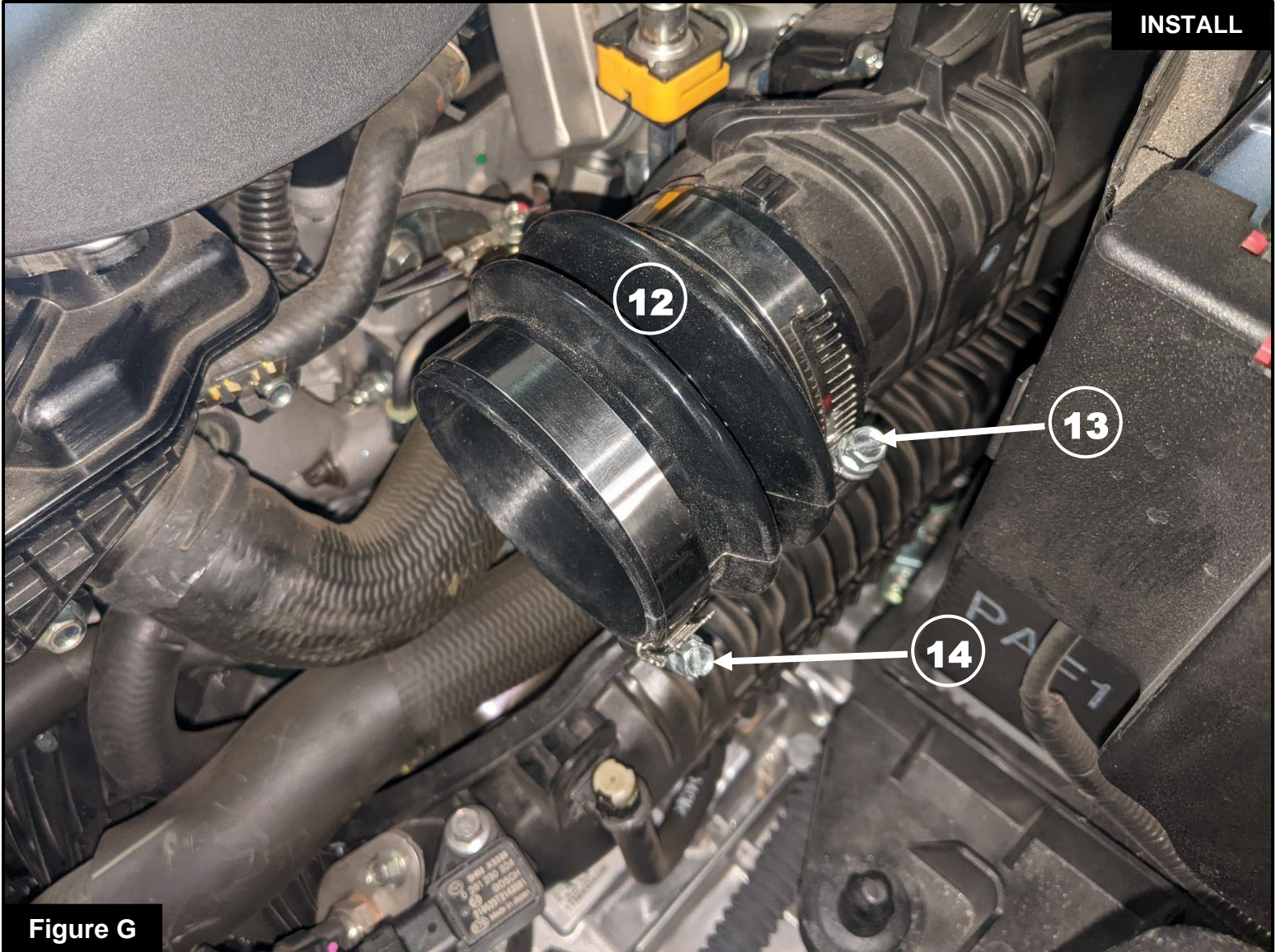
Step 9: Install your aFe POWER air filter (10) into the filter housing by pressing the base of the filter in until the locking tabs are seated on the inside of the housing. Leave the clamp loose on the filter flange.



Figure F

Refer to Figure F for Step 10

Step 10: Loosen the screws securing the MAF sensor ⑪ using a #1 Philips screwdriver then transfer the sensor into your Takeda intake tube. Secure the sensor using the provided M4 screws. Hand tighten using a T20 Torx driver.

**Figure G****Refer to Figure G for Steps 11-12**

Step 11: Install the supplied bellows reducer coupler (12) with the smaller side on the turbo inlet pipe. Use the supplied #44 clamp (13) to secure the coupler. Tighten using an 8mm nut driver.

Step 12: Place the #48 clamp (14) loosely on the open end of the coupler.

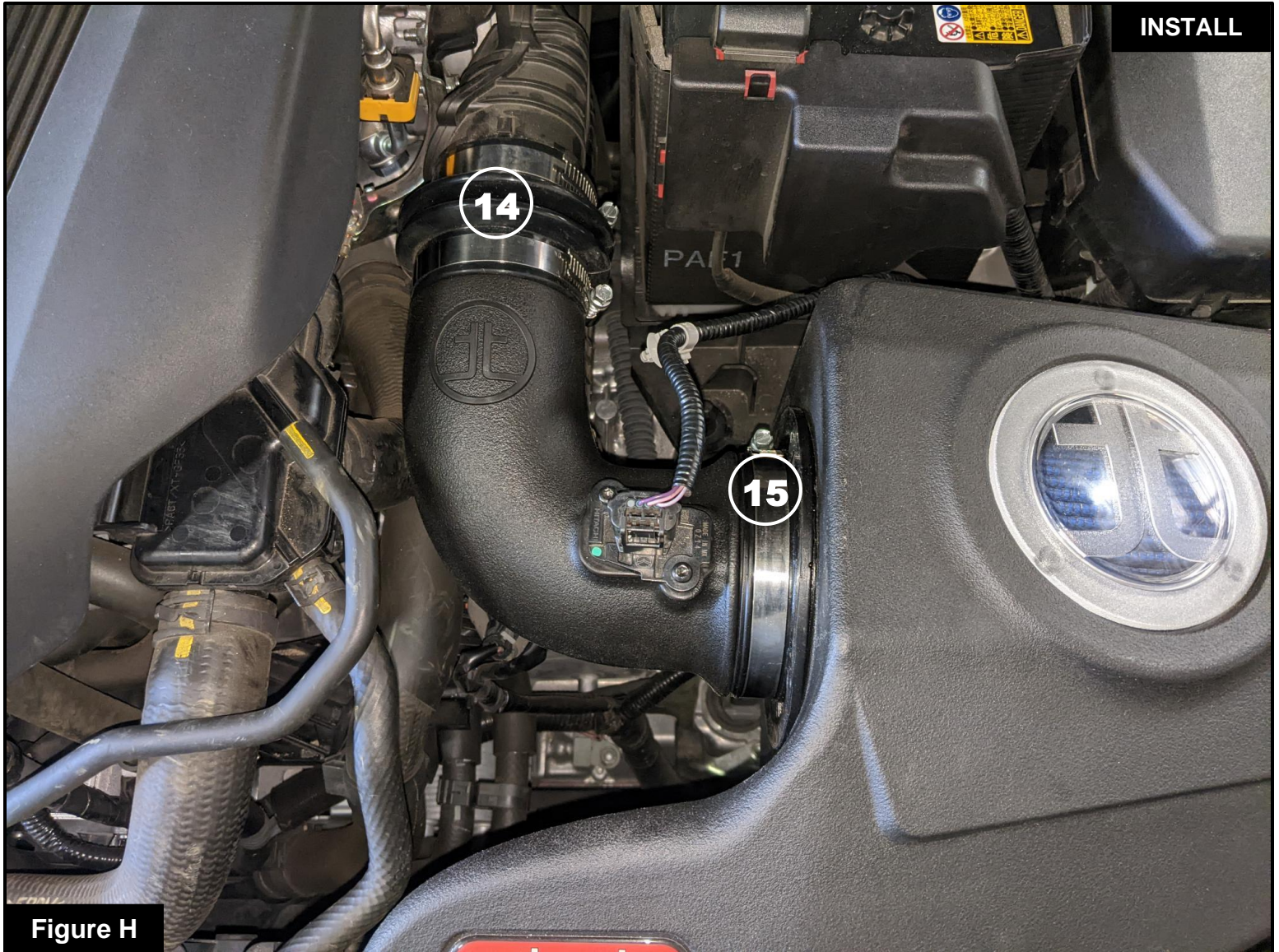


Figure H

Refer to Figure H for Steps 13-14

Step 13: Install your Takeda intake tube first into the open end of the coupling (15) at the turbo inlet, then into the open filter flange (16) . Once aligned, tighten both clamps using an 8mm nut driver.

Step 14: Reconnect the MAF sensor.



Figure I

Refer to Figure I for Step 15

Step 15: **(Optional)** Use the provided plug ①7 to close the additional air inlet if you want to completely seal the filter housing. Best performance is obtained without the plug.

**Figure J****Refer to Figure J for Step 16**

Step 16: Check that all components are tight and secure. Your installation is now complete. Thank you for choosing aFe POWER!

NOTE: Check all screws, clamps, and connectors are secure after 100-200 miles.



PAGE LEFT BLANK INTENTIONALLY



PAGE LEFT BLANK INTENTIONALLY



advanced FLOW engineering, inc.

252 Granite Street Corona, CA 92879

<https://afepower.com/contact>