



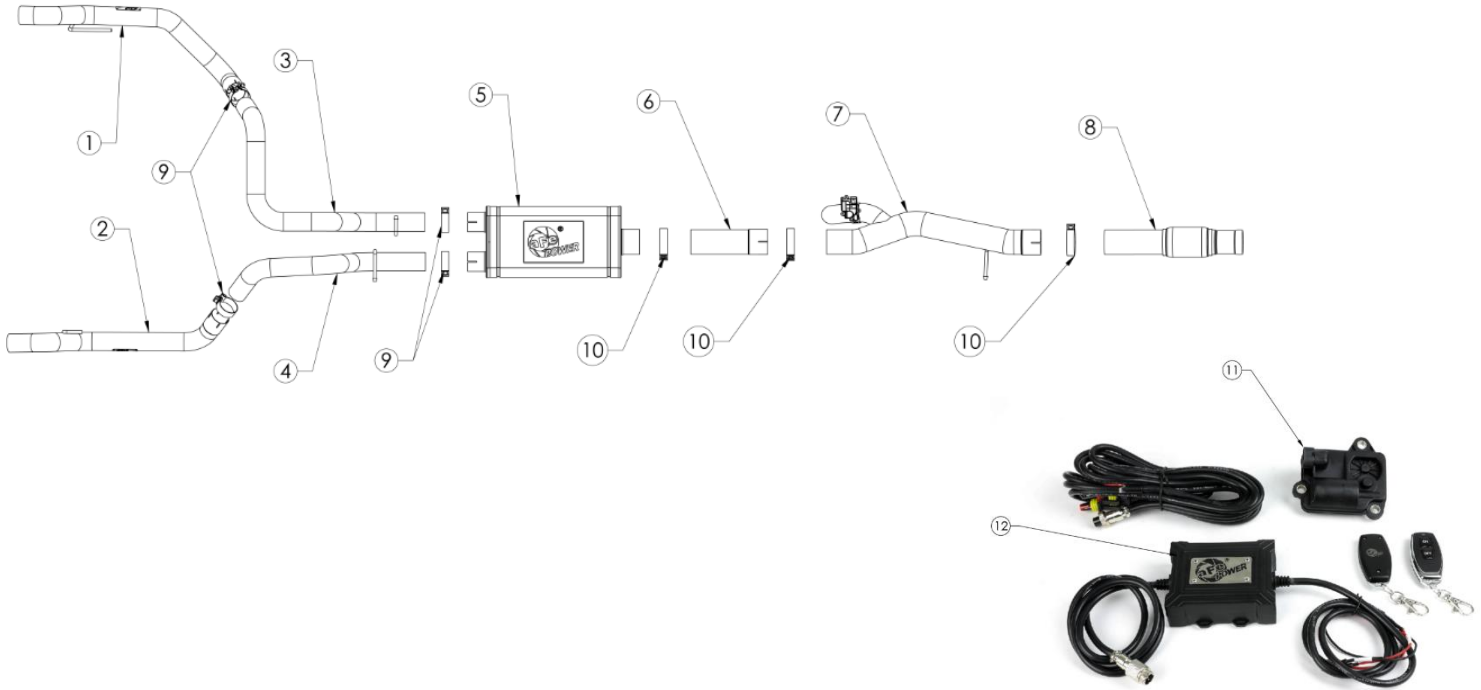
INSTALLATION INSTRUCTIONS

Cat-Back Exhaust

MAKE: Chevrolet/GMC
MODEL: Silverado/Sierra
YEAR: 2019-2023
ENGINE: V8-6.2L

49-34140

Note: It may be necessary to cut the OE Exhaust to remove it from the vehicle.



Item	Description	Part Number	Quantity
1	Driver Side Tail Pipe Assembly	05-145638	1
2	Passenger Side Tail Pipe Assembly	05-145639	1
3	Driver Side Over-Axle Assembly	05-145636	1
4	Passenger Over-Axle Assembly	05-145637	1
5	Exhaust Muffler Center-Dual 4"-3"	R49M00042-B	1
6	Extension Pipe	05-145635	1
7	Exhaust Cut Out Assembly	05-245154	1
8	Front Flex Pipe	05-145633	1
9	Clamp, Band: 3"	05-41055	4
10	Clamp, Band: 4"	05-41172	3
11	Motor, Exhaust Valve: 12 Volt	05-70042	1
12	Controller, Exhaust Valve: Normal	05-70041	1

aFe POWER recommends professional installation on this product. Thoroughly inspect the aFe POWER exhaust system to make sure there is no damage from shipping (if damage is noted, immediately contact aFe POWER customer service). Allow time for your vehicle to cool down prior to installation. When working on your vehicle proceed with caution. Wear protective safety equipment; eye goggles and gloves to ensure a safe installation.

Install band clamps to proper torque specifications of 40-45 ft-lb.



INSTALLATION INSTRUCTIONS

Cat-Back Exhaust

MAKE: Chevrolet / GMC

49-34140

MODEL: Silverado / Sierra

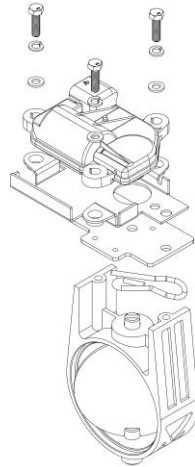
YEAR: 2019-2022

Note: It may be necessary to cut the OE Exhaust to remove it from the vehicle.

ENGINE: V8-6.2L

1. **(Read instructions prior to installation.)** It is recommended to not fully tighten the exhaust until it has been fully installed. Leave loose for adjustability.
2. Secure vehicle on jack stands (refer to your manual for specified jack stand positions).
3. For faster installation, spread out the parts of the exhaust alongside your vehicle as shown in the diagram above.
4. Secure the stock exhaust with jack/stands.
5. Remove the O.E. exhaust all the way up to the ball flare connection at the y-pipe.

6. Install the provided (x1) motor the valve motor mount using the provided (x3) bolts and spring clip.
Refer to FIG 1 below



1

7. Install the aFe POWER front flex pipe using the O.E. band clamp.
8. Install the exhaust cut out assembly onto the front pipe using the provided band clamp and O.E. isolation mount.
9. If needed, install the extension pipe using the provided band clamp. **Refer to table below:**

Cab Configuration	Bed configuration	Wheelbase	Extension Pipe?
Crew Cab	Short Bed	147"	No
Crew Cab	Standard Bed	156"	Yes
Double Cab	Standard Bed	147"	No

10. Install the passenger side over-axle pipe using the provided band clamp and O.E. isolation mounts.
11. Install the driver side over-axle pipe using the provided band clamp and O.E. isolation mounts.
12. Install the passenger side tail pipe using the provided band clamp and O.E. isolation mounts.
13. Install the driver side tail pipe using the provided band clamp and O.E. isolation mounts.
14. Position and align the entire exhaust system, now begin to fully tighten down all band clamps and bolts starting from the front and working your way back to the rear tailpipes.



INSTALLATION INSTRUCTIONS

Cat-Back Exhaust

MAKE: Chevrolet / GMC
MODEL: Silverado / Sierra
YEAR: 2019-2022
ENGINE: V8-6.2L

49-34140

Note: It may be necessary to cut the OE Exhaust to remove it from the vehicle.

15. Run the wire harness from the motor into the frame towards the engine compartment. Exit behind the front passenger tire as shown in **FIG 2** and **FIG 3**. Secure using supplied zip ties.



16. In the engine compartment, zip tie the control box along the wire harness next to the battery. Run the wire ring terminals to the battery and run the rest of the wire down the back of the firewall to meet the rest of the remaining wire harness. Use provided zip ties to secure the wire. Refer to FIG 4 and FIG 5.



17. Connect the wire harness together and tuck the remaining wire into the frame. Organize any other loose wires and secure with remaining zip ties.
18. Ensure that all the components of the aFe POWER exhaust system are aligned and are at a safe clearance from all wires, hoses, brake lines, body parts, and tires.
19. Start the vehicle and check for any leaks. If any leaks are found, determine cause and repair as necessary.
20. Remove vehicle from jacks stands.
21. It is recommended to re-tighten all clamps and hardware after 50-100 miles.