



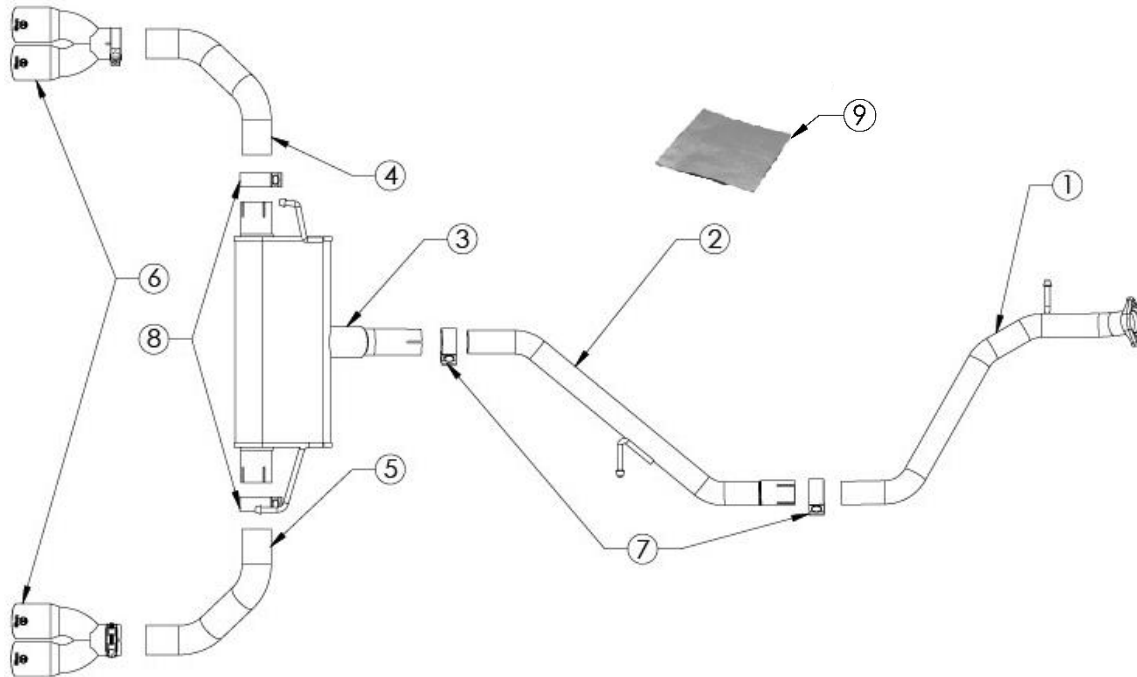
# INSTALLATION INSTRUCTIONS

Cat-Back Exhaust

MAKE: Lexus  
MODEL: UX200  
YEAR: 2019-2022  
ENGINE: L4-2.0L

49-36054-P  
49-36054-B

**NOTE: Does not fit hybrid models**



Item	Description	Part Number	Quantity
1	Mid-Pipe Assembly 1	05-245196	1
2	Mid-Pipe Assembly 2	05-245197	1
3	Muffler Assembly	05-245162	1
4	Driver Side Tailpipe	05-245170	1
5	Passenger Side Tailpipe	05-245169	1
6	EXH Tip 2-1/2 In x 3 Out x 9-1/2L Bolt-On Blk	49T25364-B10	2
6	EXH Tip 2-1/2 In x 3 Out x 9-1/2L Bolt-On Pol	49T25364-P10	2
7	Clamp, Band: 2"	05-41235	2
8	Clamp, Band: 2-1/2"	05-41061	2
9	Heat Shield Adhesive: 6" x 6"	05-40110	1

aFe POWER recommends professional installation on this product. Thoroughly inspect the aFe POWER exhaust system to make sure there is no damage from shipping (if damage is noted, immediately contact aFe POWER customer service). Allow time for your vehicle to cool down prior to installation. When working on your vehicle proceed with caution. Wear protective safety equipment; eye goggles and gloves to ensure a safe installation.

Install band clamps to proper torque specifications of 40-45 ft-lb.





## INSTALLATION INSTRUCTIONS

**MAKE:** Lexus  
**MODEL:** UX200  
**YEAR:** 2019-2022  
**ENGINE:** L4-2.0L

**Cat-Back Exhaust**

49-36054-P

49-36054-B

**NOTE: Does not fit hybrid models**

---

1. **(Read instructions prior to installation.)** It is recommended to not fully tighten the exhaust until it has been fully installed. Leave loose for adjustability.
2. Secure vehicle on jack stands (refer to your manual for specified jack stand positions).
3. For faster installation, spread out the parts of the exhaust alongside your vehicle as shown in the diagram above.
4. Secure the stock exhaust with jack/stands.
5. Remove the (x2) 14mm spring loaded bolts on the front pipe of OE exhaust.
6. Remove stock exhaust system by using a pry bar or a hanger rod tool and removing the (x4) OE rubber isolation mounts.
7. Transfer the (x4) OE rubber isolation mounts to the TAKEDA exhaust Muffler Assembly and Mid-Pipe.
8. Install the TAKEDA Mid-pipe 1 using the (x2) OE 14mm spring loaded bolts and sliding OE isolation mount onto the frame hanger rod.
9. Install the TAKEDA Mid-Pipe 2 onto Mid-Pipe 1 using the provided 2" band clamp and sliding OE isolation mount onto the frame hanger rod.
10. Install the TAKEDA Muffler Assembly onto the Mid-Pipe 2 using the provided 2" band clamp and slide the (x2) OE isolation mounts onto the frame hanger rods.
11. Install the TAKEDA Driver and Passenger side Tail-Pipe Assembly onto Muffler Assembly using the provided (x2) 2.5" band clamp.
12. **NOTE: Apply Heat Shield Adhesive: 6" x 6" to the driver side rear valence above the area where the exhaust tip will be located.**
13. Install Clamp-on Tips to the TAKEDA Tail Pipes using the supplied band clamps.
14. Ensure that all the components of the TAKEDA exhaust system are aligned and are at a safe clearance from all wires, hoses, brake lines, body parts, and tires.
15. Start from the front of the TAKEDA exhaust system and evenly tighten all clamps and fasteners.
16. Start the vehicle and check for any leaks. If any leaks are found, determine cause and repair as necessary.
17. Remove vehicle from jacks stands.
18. It is recommended to re-tighten all clamps and hardware after 50-100 miles.