

**advanced FLOW engineering** Magnum Force Dynamic Air Scoop

**Instruction Manual** P/N: 54-13015S/SL/SR

Make: Ford Model: Mustang Year: 2015-2021 Engine: I4-2.3L(t)/V6-3.7L/V8-5.0L (GT only)



- Please read the entire instruction manual before proceeding.
- Ensure all components listed are present.
- For technical support please call 951-493-7185.
- Ensure you have all necessary tools before proceeding.
- Do not attempt to work on your vehicle when the engine is hot.
- Retain factory parts for future use.

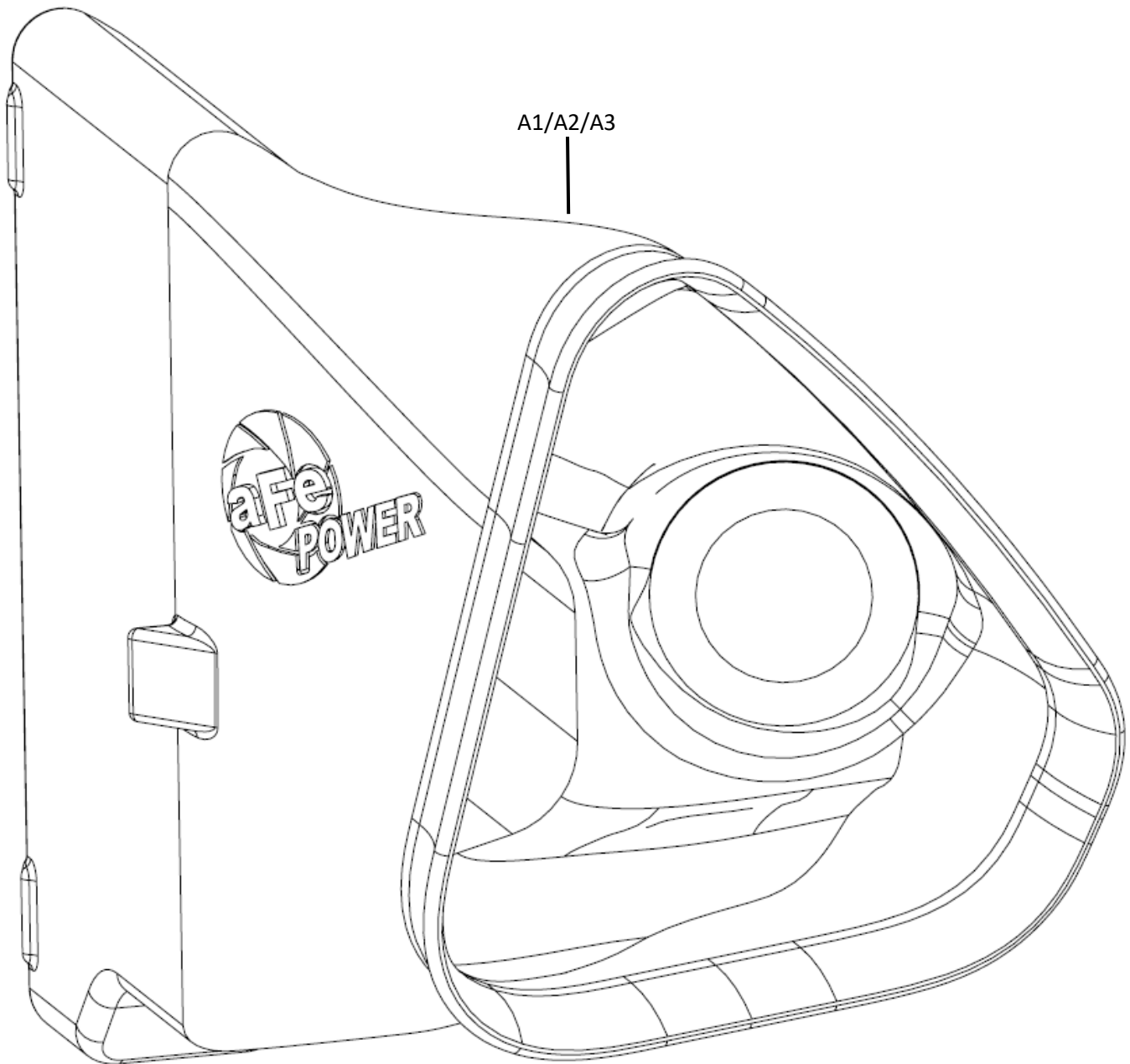
Label	Qty.	Description	Part Number
A1	1	Scoop (Black)	05-5413015B3
A2	1	Scoop (Blue)	05-5413015L3
A3	1	Scoop (Red)	05-5413015R3

**Installation will require the following tools:**

Flathead screwdriver (or panel clip removal tool) and 5.5mm/7mm/8mm/10mm nut drivers

Warranty information available at <https://afepower.com/contact#warranty>.

**Emissions Disclaimer:** This product is not currently CARB exempt and is not available for purchase in California or for use on any vehicle registered with the California Department of Motor Vehicles.



A1/A2/A3

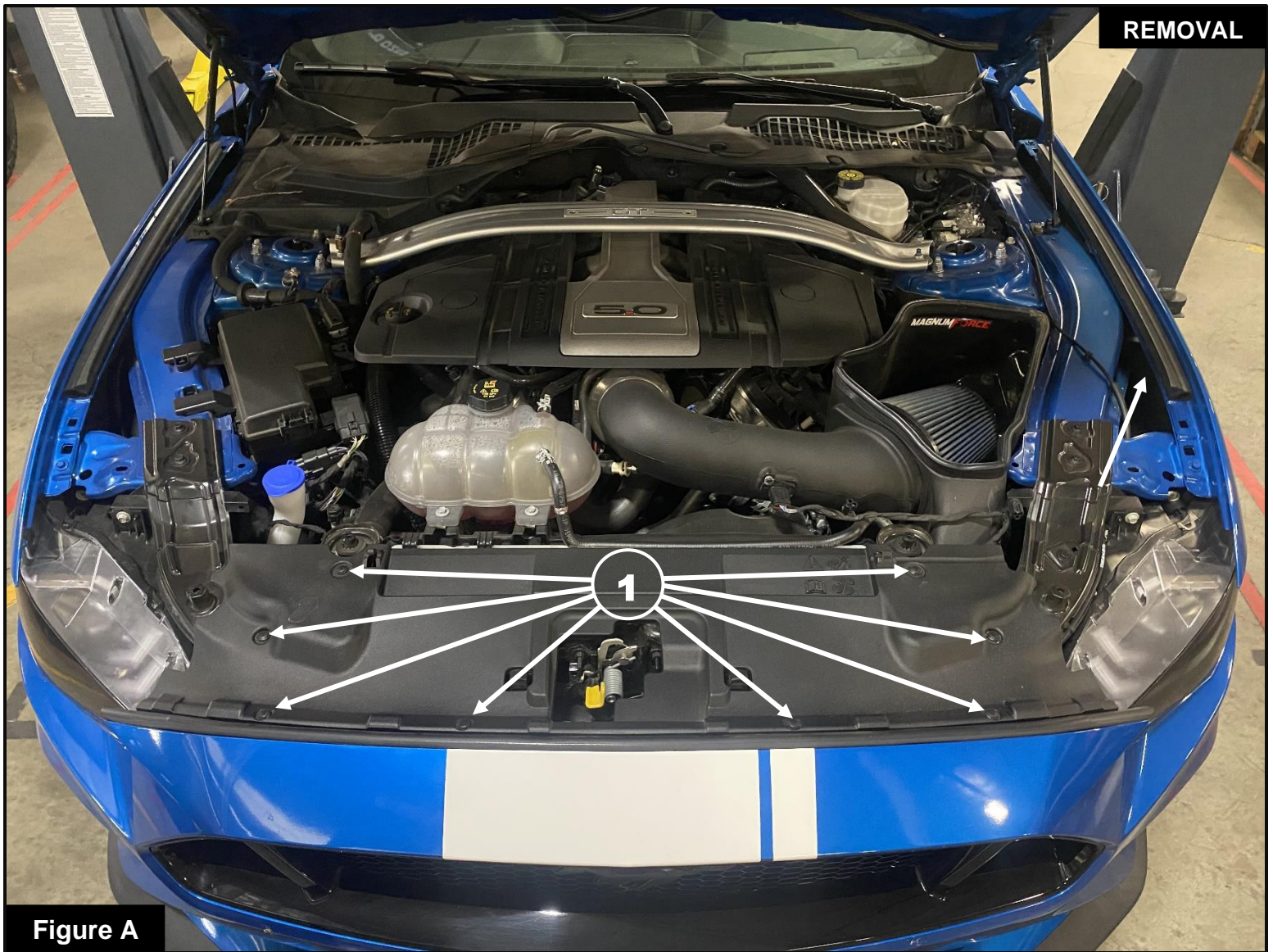


Figure A

**Refer to Figure A for Steps 1-2**

- Step 1: Open the vehicle's hood and locate the 8 plastic retaining clips ① that hold on the plastic cover.
- Step 2: Using a flat head screwdriver or panel clip removal tool, remove the 8 plastic retaining clips and remove the plastic cover.



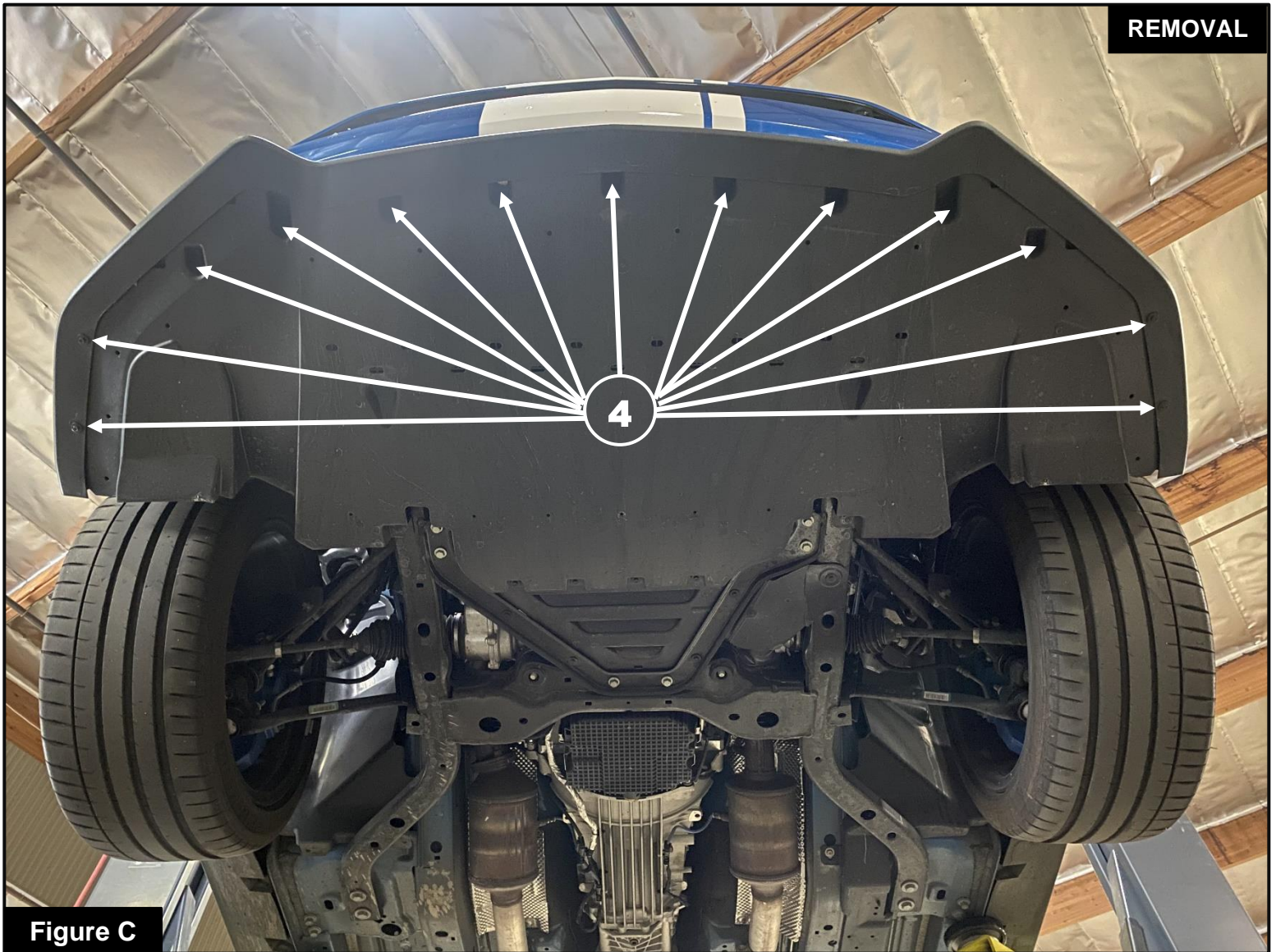
**Figure B****Refer to Figure B for Steps 3-5**

Step 3: With the plastic cover removed, locate the six screws ② holding on the upper portion of the bumper.

Step 4: Using an 8mm nut driver, remove the six screws.

Step 5: Using a 5.5mm nut driver, remove the two screws ③ on the outer portions of the bumper.



**Figure C****Refer to Figure C for Steps 6-7**

Step 6: Underneath the front bumper, locate the thirteen screws ④ to be removed.

Step 7: Using a 7mm nut driver, remove the thirteen screws.

**Figure D****Refer to Figure D for Steps 8-10**

Step 8: Starting with the driver's side wheel well, locate the 3 plastic clips ⑤.

Step 9: Using your finger, push on the center of the plastic clip to release the two upper clips. Use a flathead screwdriver or panel clip removal tool to remove the bottom clip.

Step 10: Move to the passenger side and perform steps 8 and 9.





### Refer to Figure E for Steps 11-14

Step 11: Pull back on the fender liner and locate the two nuts ⑥.

**\*NOTE:** 2015-2017 models have a screw instead of two nuts on the inside of the fender.

Step 12: Using a 10mm nut driver, remove the nuts on the driver and passenger sides.

**\*NOTE:** For 2015-2017 models, use a 7mm nut driver and remove 1 screw per side.

Step 13: Un-plug the fog lights and turn signals before completely removing the bumper from the vehicle.

Step 14: Remove the bumper from the vehicle and set aside.





**Figure F**

**Refer to Figure F for Steps 15-18**

Step 15: Locate the air inlet (7).

Step 16: Install your aFe POWER Dynamic Air Scoop by inserting it into the air inlet. Push inward until you feel the locking tabs snap into place.

Step 17: Re-install the bumper following the steps in the reverse order.

Step 18: Your installation is now complete.

**NOTE: Check all fasteners and connectors after 100-200 miles.**



**Page left blank intentionally.**





**Page left blank intentionally.**



***advanced FLOW engineering, inc.***

Corona, CA 92879

<https://afepower.com/contact>