

***advanced FLOW engineering***

Takeda Stage-2 Cold Air Intake System

**Instruction Manual** P/N: 56-10020D / 56-10020R

Make: Mazda

Model: 3

Year: 2014-2018

Engine: I4-2.0L



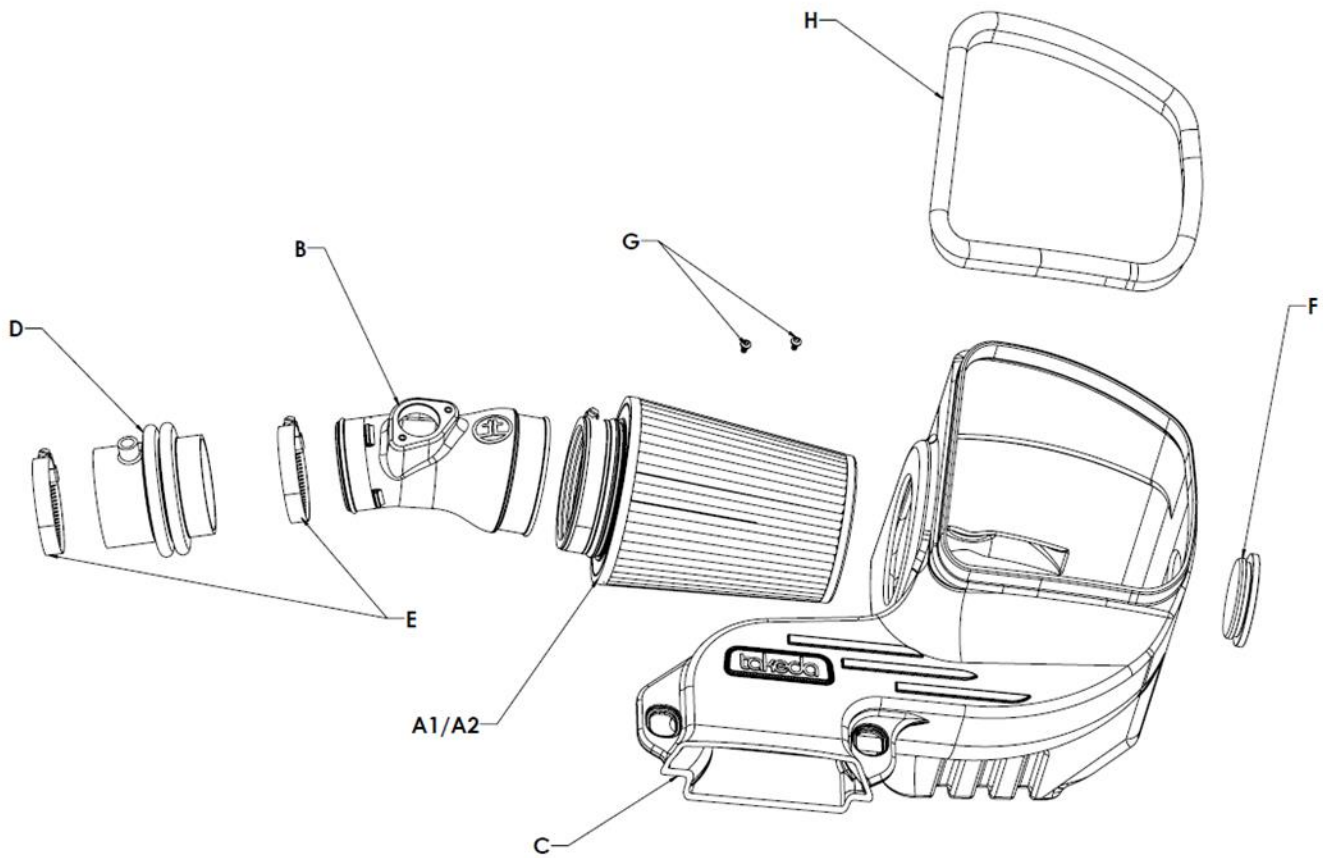
- Please read the entire instruction manual before proceeding.
- Ensure all components listed are present.
- If you are missing any of the components, call customer support at 951-493-7185.
- Ensure you have all necessary tools before proceeding.
- Do not attempt to work on your vehicle when the engine is hot.
- Disconnect the negative battery terminal before proceeding.
- Retain factory parts for future use.

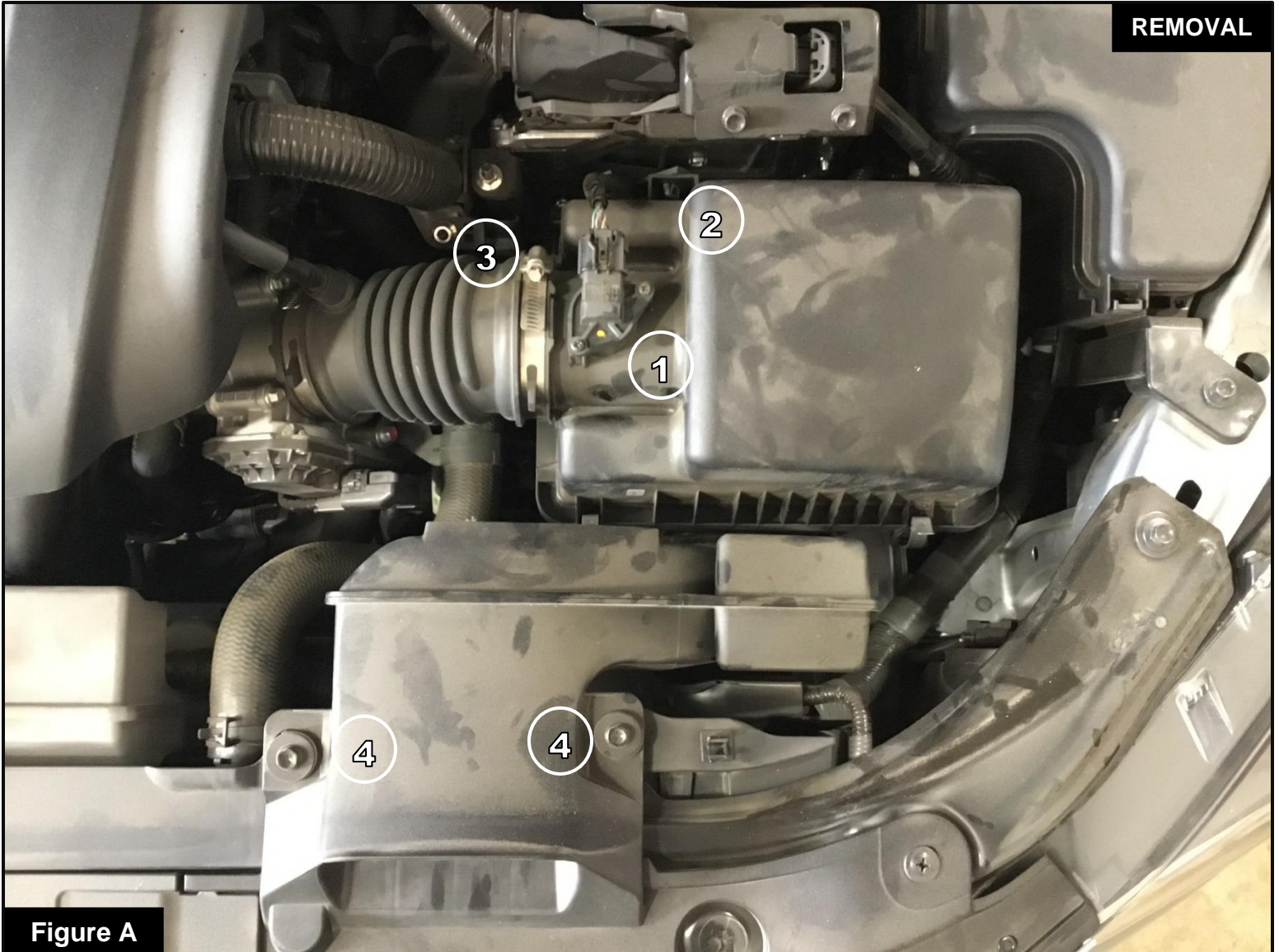
Label	Qty.	Description	Part Number
A1	1	Air Filter (Pro 5R)	TF-9028D
A2	1	Air Filter (Pro DRY S)	TF-9028R
B	1	Tube	05-5610020B1
C	1	Housing	05-5610009B2
D	1	Coupling, Silicone Bellow: 2.75" ID x 3.25"L	05-01500
E	2	Clamp, 044 (2-5/16" - 3-1/4")	03-50019
F	1	Plug, Silicone	05-01482
G	2	Screw, Torx M4	03-50491
H	1	Seal, Trim (27 in)	05-01507

**Installation will require the following tools:**

T-20 Torx driver, #2 Phillips screwdriver, 7mm nut driver, 8mm nut driver, 10mm nut driver, and needle-nose pliers.

**Emissions Disclaimer:** This product is not currently CARB exempt and is not available for purchase in California or for use on any vehicle registered with the California Department of Motor Vehicles.



**Figure A****Refer to Figure A for Step 1-5**

Step 1: Remove engine cover.

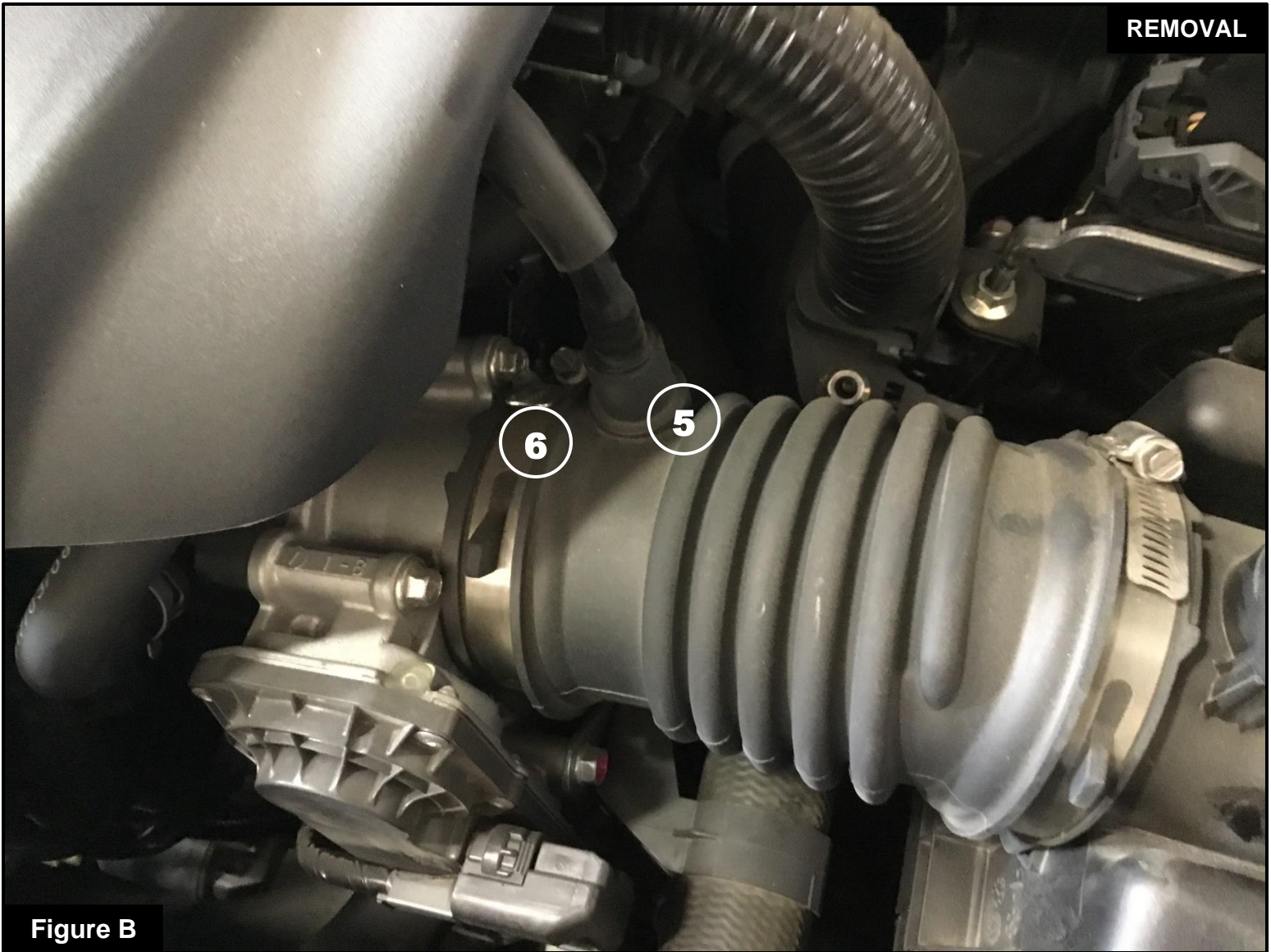
Step 2: Disconnect the Mass Air Flow (MAF) harness from MAF sensor and remove it from the housing. ①

Step 3: Remove the MAF harness clip from the airbox. ②

Step 4: Loosen the clamp securing the tube to the top intake box. Remove the top box by releasing the two clips holding it down. ③

Step 5: Remove the two 10mm screws holding down the inlet scoop. These will be used for the installation of the Takeda Intake System. ④



**Figure B****Refer to Figure B for Step 6-9**

Step 6: Remove the PCV hose from the intake tube by pulling it up gently. ⑤

Step 7: Loosen the other clamp securing the tube to the throttle body. ⑥

Step 8: Pull the tube off from the throttle body.

Step 9: Remove the bottom section of the intake housing by gently pulling it up from the vehicle.

**Figure C****Refer to Figure C for Step 10-11**

Step 10: Remove two of the rubber grommets from the stock housing and transfer it to the bottom of the Takeda housing. (7)

Step 11: Install the other grommet onto the side mount on the housing. (8)





Figure D

**Refer to Figure D for Step 12**

Step 12: Remove the two air inlet bushings and insert them onto the Takeda housing. ⑨

**Figure E****Refer to Figure E for Steps 13-14**

Step 13: Install the filter into the housing. Angle it down into the housing, then rotate it to allow the flange to come through the hole. Push it through the hole until it snaps into place.

Step 14: Install the seal trim onto the top of the housing.





Figure F

**Refer to Figure F for Steps 15-16**

Step 15: Insert the housing in to the vehicle. Secure the scoop using the 10mm screws. ⑩

Step 16: Install the coupling onto the throttle body as shown.



**Figure G****Refer to Figure G for Steps 17-19**

Step 17: Insert the PCV fitting into the port on top of the coupling. ⑪

Step 18: Install the tube into the coupling.

Step 19: Rotate the tube downward to insert it into the air filter. Secure it by tightening down the clamp. ⑫



**Figure H****Refer to Figure H for Step 20-22**

Step 20: Insert the MAF sensor into the tube and secure it using the provided M4 screws and a T20 Torx screwdriver.

Step 21: Reconnect the MAF harness plug to the sensor.

Step 22: Reinstall engine cover.

Your installation is now complete. Thank you for choosing Takeda.





**Page left blank intentionally**



**Page left blank intentionally**

Pro DRY S Air Filter



P/N: TF-9028D

Pro 5R Air Filter



P/N: TF-9028R

Pro DRY S Restore Kit



P/N: 90-59999

Pro 5R Restore Kit



P/N: 90-50501

Pro DRY S Power Cleaner



P/N: 90-10101

Pro 5R Power Cleaner



P/N: 90-10201

Pre-Filter



P/N: 28-10083

Takeda Man Decal



P/N: TP-7003D





# Warranty

## General Terms:

- aFe warrants their products to be free from manufacturer's defects due to workmanship and material.
- This warranty applies only to the original purchaser of the product and is non-transferrable.
- Proof of purchase of the aFe product is required for all warranty claims.
- Warranty is valid provided aFe instructions for installation and/or cleaning were properly followed.
- Proper maintenance with regular inspections of product is required to insure warranty coverage.
- Damage due to improper installation, abuse, unauthorized repair or alteration is not warranted.
- Incidental or consequential damages or cost, including installation and removal of part, incurred due to failure of aFe product is not covered under this warranty.
- All warranty is limited to the repair and/or replacement of the aFe part. To request Return Goods Authorization ("RGA"), email RGA@afepower.com or call (951)493-7100. Upon receipt of the RGA, you must return the product to the address provided in the RGA, freight prepaid and accompanied with a dated proof of purchase and the RGA. Upon receipt of the defective product and upon verification of proof of purchase, aFe will either repair or replace the defective product within a reasonable time, not to exceed thirty days.

Product Category	P/N Prefix	Warranty duration
Direct OE Replacement Filters	10, 11, 30, 31, 71, 73	Life of the vehicle
Racing Filters	18	1 year
Universal	21, 23, 24, 72, TF	2 years
Air Intake Systems	50, 51, 53, 54, 55, 56, 58, 75, TR, TA, TL, TM	2 years
Exhaust Systems	49	2 years
Intercoolers & Intercooler Tubes	46-2	2 years
Intake Manifolds	46-1	2 years
Differential Cover	46-7	Life of the vehicle
Exhaust Manifolds	46	2 years
Throttle Body Spacers	46-3	2 years
Turbochargers	46-6	2 years*
Fluid Filters	44	90 days
Pre-Filters	28	2 years
Heavy Duty OE Replacement	70	2 years
PowerSports OE Replacement	81, 87	2 years
PowerSports Intake Systems	85	2 years

No other warranty expressed or implied applies nor is any person or advanced FLOW engineering authorized to assume any other warranty. Some States do not allow the exclusion or limitation of incidental or consequential damages or do not allow limitations on how long an implied warranty lasts, so the above limitations or exclusions may not apply to you. This warranty gives you specific legal rights, and you may also have other rights which vary from State to State.

\*See turbocharger warranty for more info



***advanced FLOW engineering, inc.***

252 Granite Street Corona, CA 92879  
TEL: 951.493.7100 • TECH: 951.493.7185  
E-Mail: Tech@aFepower.com

P/N: 06-81281