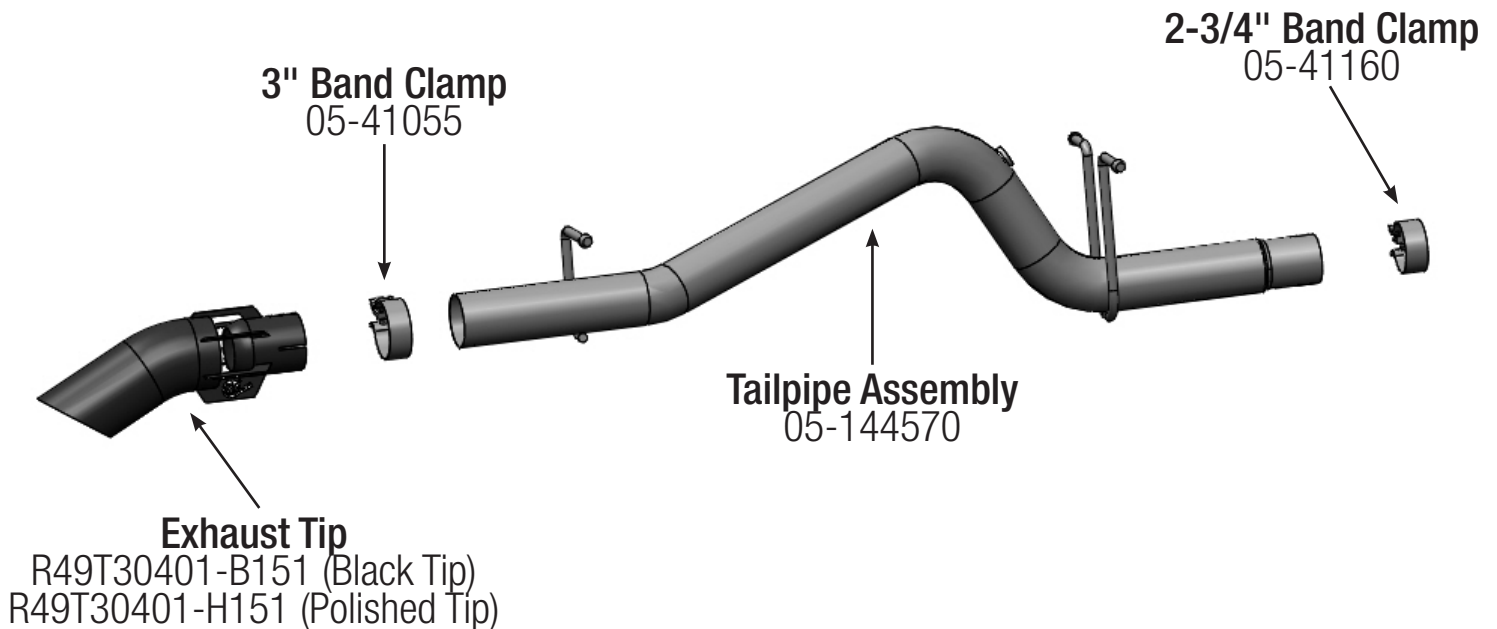




INSTALLATION INSTRUCTIONS

MAKE: GM
MODEL: Colorado / Canyon ZR2
YEAR: 2016-2022
ENGINE: L4-2.8L (td)

DPF-Back Exhaust
49-44100-B (Black Tip)
49-44100-P (Polished Tip)



Caution: aFe recommends professional installation on our products. Allow time for your vehicle to cool down prior to installation. When working on or under your vehicle proceed with caution. Exhaust systems reach high temperatures and may cause serious burns. Wear protective safety equipment; eye goggles and gloves to ensure a safe installation.

Step 1: (Read Instructions prior to installation) for faster removal and installation of exhaust a trained professional is recommended for this procedure. Secure DPF (Diesel Particulate Filter) with jack/stands. The stock exhaust system will require cutting therefore professional assistance and proper tube cutting tools is always recommended.

Step 2: Cutting will be required. Use a visible marker; measure from the rear weld of the DPF (use Figure A as reference). Place a mark according to the Cab/Bed (WB) configurations listed below.

- CC/SB, AC/LB (128.3" WB) Measure 6" from weld
- CC/LB (140.5" WB) Measure 18" From weld

Step 3: Once you have cut the stock over-axle tube away from the (DPF), remove the NOx sensor with a 15/16" wrench, and then remove over-axle.

Step 4: Install the aFe POWER tailpipe assembly using provided 2-3/4" band clamp and slip hangers into the OE isolation mounts. Re-install the NOx sensor.

Step 5: Install the aFe POWER intercooled tip using provided 3" band clamp.

Step 6: Adjust system and begin tightening down all clamps and hardware. Your system is now complete it is recommended to re-check and tighten all clamps and hardware 50-100 miles after installation.

