

advanced FLOW engineering

Instruction Manual P/N: 54-74207-CV

Make: **Cadillac** Model: **CTS-V** Year: **2009-2015** Engine: **V8-6.2L (sc)**



- Please read the entire instruction manual before proceeding.
- Ensure all components listed are present.
- If you are missing any of the components, call customer support at 951-493-7185.
- Ensure you have all necessary tools before proceeding.
- Do not attempt to work on your vehicle when the engine is hot.



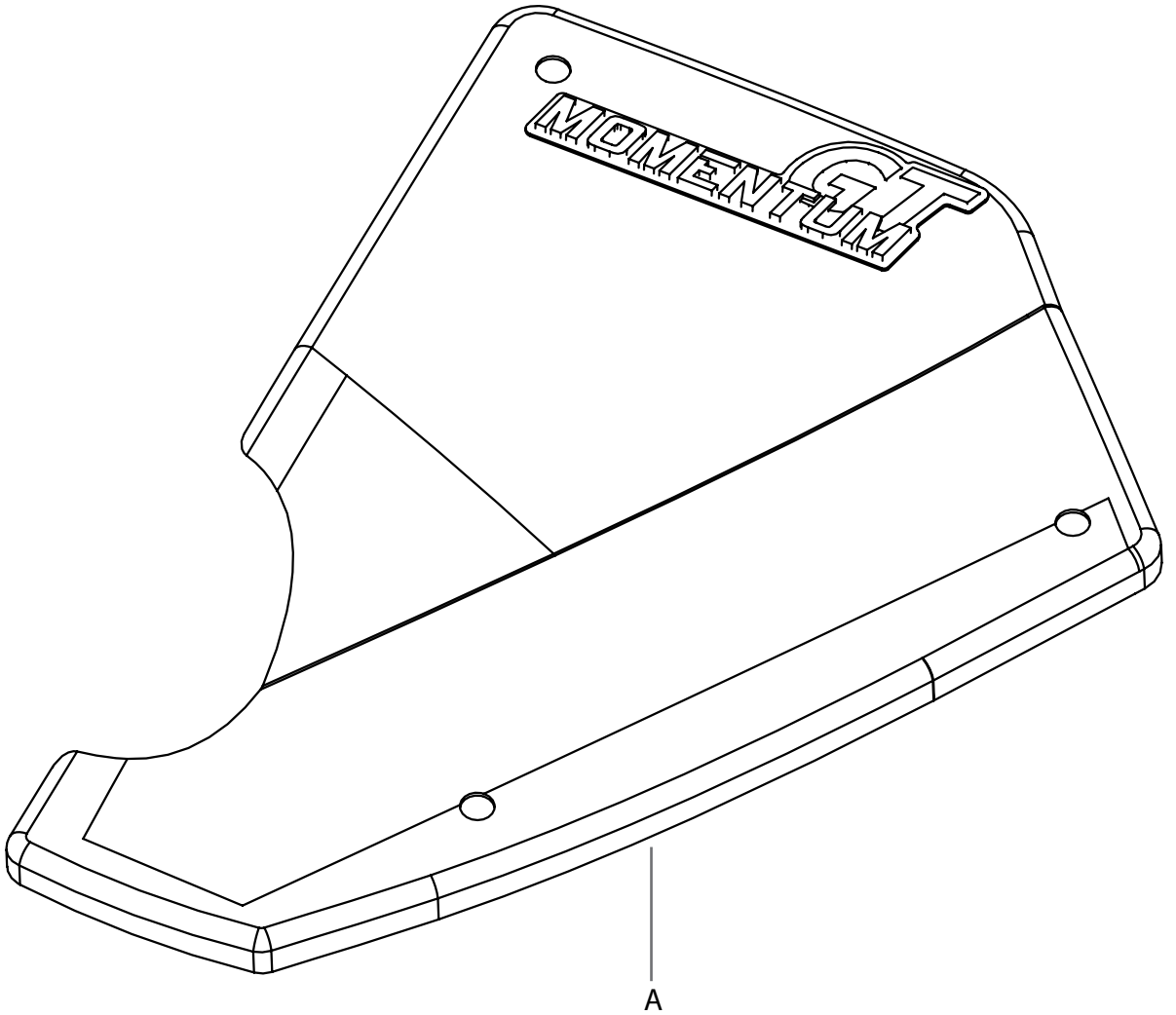
Retain factory parts for future use.

Label	Qty.	Description	Part Number
A	1	Carbon Fiber Cover	05-74207C4

Warranty Information available at: <https://afepower.com/contact#warranty>

Installation will require the following tool(s):

3mm hex wrench.





Refer to Figure A for Step 1

Step 1: Remove the three ① aFe POWER laser etched screws.



Figure B

Refer to Figure B for Steps 2-3

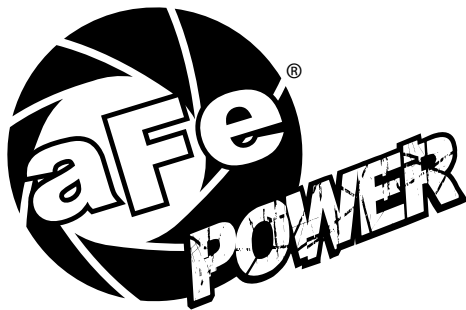
Step 2: Install the carbon fiber cover on top of the aFe housing.

Step 3: Re-tighten the three ② aFe POWER laser etched screws. Your installation is now completed.



Page left blank intentionally

Page left blank intentionally



advanced FLOW engineering, inc.

Corona, CA 92879

<https://afepower.com/contact>