

advanced FLOW engineering Stage-2 Air Intake

Instruction Manual P/N: TR-3021B-D / TR-3021B-R



Make: Nissan Model: Altima Year: 2013-2018 Engine: L4-2.5L



- Please read the entire instruction manual before proceeding.
- Ensure all components listed are present.
- If you are missing any of the components, call customer support at 951-493-7100.
- Ensure you have all necessary tools before proceeding.
- Do not attempt to work on your vehicle when the engine is hot.
- Disconnect the negative battery terminal before proceeding.
- Retain factory parts for future use.

Label	Qty.	Description	Part Number
A1	1	Air Filter (Pro DRY S)	TF-9028D
A2	1	Air Filter (Pro 5R)	TF-9028R
B	1	Tube	05-T3021B1
C	1	Cover	05-T3021B2
D	1	Coupling, Silicone Reducer Hump	05-01305
E	1	Plug, Silicone	05-01387
F	2	Clamp, #044	03-50019
G	2	Screw, Torx: M4	03-50491
H	1	Hose, Fuel: 5/8" (10")	05-00069

Installation will require the following tools:

8mm Nut driver, 10mm Nut Driver, 1/4" Ratchet, 10mm Socket, Flathead Screw Driver, Phillips Screw Driver, Pliers.

Note: Legal in California for use on race vehicles only. The use of this device on vehicles used on public streets or highways is strictly prohibited in California and others states that have adopted California emission regulations.

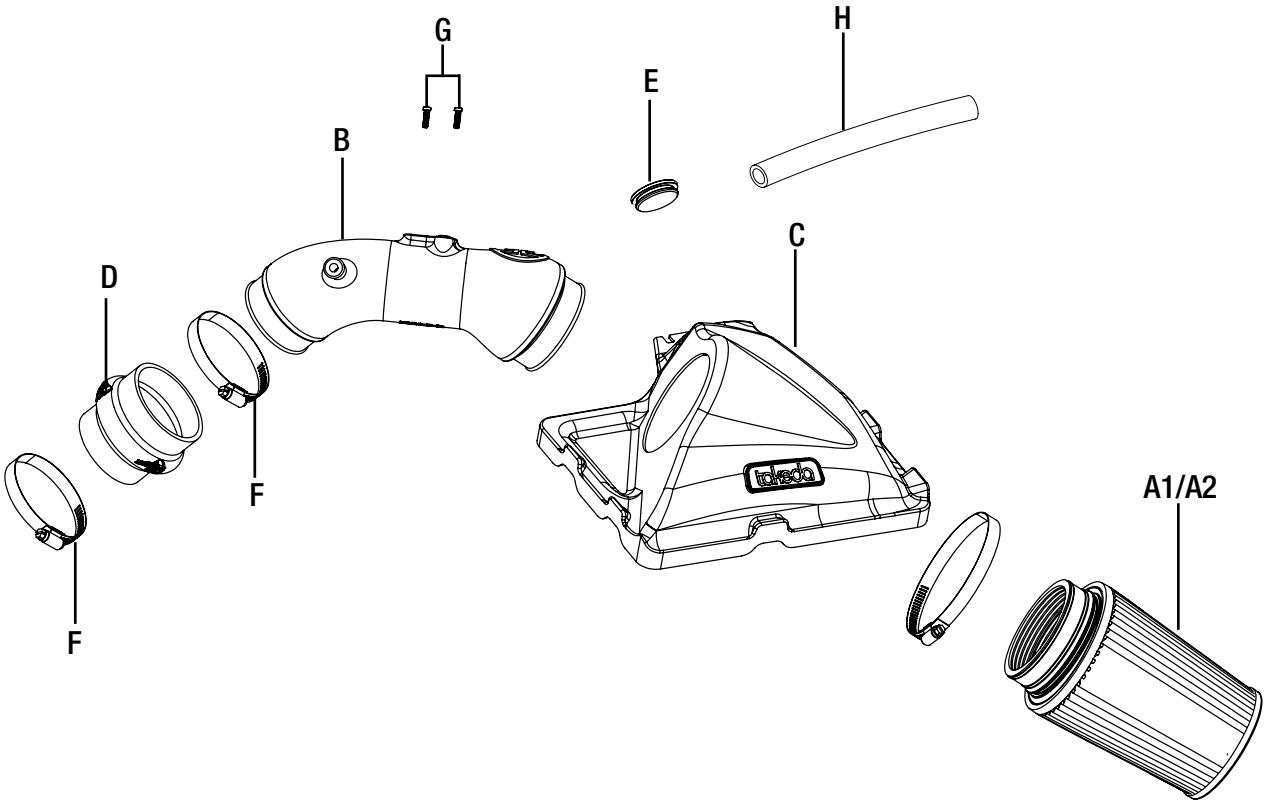




Figure A

Refer to Figure A for Step 1.

Step 1: Remove the three 10mm bolts on the engine cover and then pull out the engine cover.



Figure B

Refer to Figure B for Steps 2-4.

Step 2: Disconnect the MAF sensor and remove from the plastic retainers.

Step 3: Disconnect the crank case hose from the valve cover.

Step 4: Loosen the clamp on the intake tube connecting to the throttle body.



Figure C

Refer to Figure C for Step 5.

Step 5: Remove the top of the OE airbox with the intake tube.



Figure D

Refer to Figure D for Step 6.

Step 6: Pre-install the Takeda air filter through the Takeda cover, assure filter retain groove is locked to housing.



Figure E

Refer to Figure E for Steps 7-8.

Step 7: Install the coupling onto the throttle body with the supplied clamps, tighten only the clamp on the throttle body side. Do not tighten other clamp at this time.

Step 8: install the housing and filter onto the bottom part of the OE airbox, secure it with the OE retaining clips.

**Figure F****Refer to Figure F for Step 9.**

Step 9: Transfer the MAF sensor from the OE intake tube into the Takeda intake tube, secure it with the provided hardware.

**Figure G****Refer to Figure G for Steps 10-15.**

Step 10: Slide the intake tube into the coupling then into the filter.

Step 11: Align the tube with filter and coupling then tighten both clamps.

Step 12: Re-connect MAF harness to sensor

Step 13: Connect the provided crank case hose to the intake tube fitting then onto the valve cover fitting.

Step 14: Reinstall the engine cover from Step 1.

Step 15: Make sure all bolt and clamps are tight, installation is now complete. Thank you for choosing Takeda USA!

NOTE: Retighten all connections after approximately 100-200 miles.

Page left blank intentionally



Page left blank intentionally

Page left blank intentionally



Pro DRY S Air Filter



P/N: TF-9028D

Pro 5R Air Filter



P/N: TF-9028R

Takeda Restore Kit



P/N: TP-7015C

Blue Squeeze Restore Kit



P/N: 90-50501

Takeda Mens T-Shirt



P/N: 40-30332 (M)
40-30333 (L)
40-30334 (XL)

Takeda Mascot Decal



P/N: TP-7003D

To purchase any of the items above, view airflow charts, dyno graphs, photos, and video; please go to aFepower.com.

Warranty

General Terms:

- aFe warrants their products to be free from manufacturer's defects due to workmanship and material.
- This warranty applies only to the original purchaser of the product and is nontransferable.
- Proof of purchase of the aFe product is required for all warranty claims.
- Warranty is valid provided aFe instructions for installation and/or cleaning were properly followed.
- Proper maintenance with regular inspections of product is required to insure warranty coverage.
- Damage due to improper installation, abuse, unauthorized repair or alteration is not warranted.
- Incidental or consequential damages or cost, including installation and removal of part, incurred due to failure of aFe product is not covered under this warranty.
- All warranty is limited to the repair and/or replacement of the aFe part. To request Return Goods Authorization ("RGA"), email RGA@afepower.com or call (951)493-7100. Upon receipt of the RGA, you must return the product to the address provided in the RGA, freight prepaid and accompanied with a dated proof of purchase and the RGA. Upon receipt of the defective product and upon verification of proof of purchase, aFe will either repair or replace the defective product within a reasonable time, not to exceed thirty days.

Product Category	P/N Prefix	Warranty duration
Direct OE Replacement Filters	10, 11, 30, 31, 71, 73	Life of the vehicle
Racing Filters	18	1 year
Universal	21, 24, 72	2 years
Air Intake Systems	50, 51, 54, 55, 75	2 years
Exhaust Systems	49	2 years
Intercoolers & Intercooler Tubes	46-2	2 years
Intake Manifolds	46-1	2 years
Differential Cover	46-7	Life of the vehicle
Exhaust Manifolds	46	2 years
Throttle Body Spacers	46-3	2 years
Fluid Filters	44	90 days
Pre-Filters	28	2 years
Heavy Duty OE Replacement	70	2 years
PowerSports OE Replacement	81, 87	2 years
PowerSports Intake Systems	85	2 years

No other warranty expressed or implied applies nor is any person or advanced FLOW engineering authorized to assume any other warranty. Some States do not allow the exclusion or limitation of incidental or consequential damages or do not allow limitations on how long an implied warranty lasts, so the above limitations or exclusions may not apply to you. This warranty gives you specific legal rights, and you may also have other rights which vary from State to State.



advanced FLOW engineering, inc.
252 Granite Street Corona, CA 92879
TEL: 951.493.7100 • TECH: 951.493.7134
E-Mail: Tech@aFepower.com