

advanced FLOW engineering

Instruction Manual P/N: 52-31912 / 51-31912 / 54-31912

Make: **BMW** Model: **335i/xi (E9X)** Year: **2011-2013** Engine: **L6-3.0L (t) N55**

Make: **BMW** Model: **135i (E82/E88)** Year: **2011-2013** Engine: **L6-3.0L (t) N55**

Make: **BMW** Model: **X1 35ix (E84)** Year: **2011-2015** Engine: **L6-3.0L (t) N55**



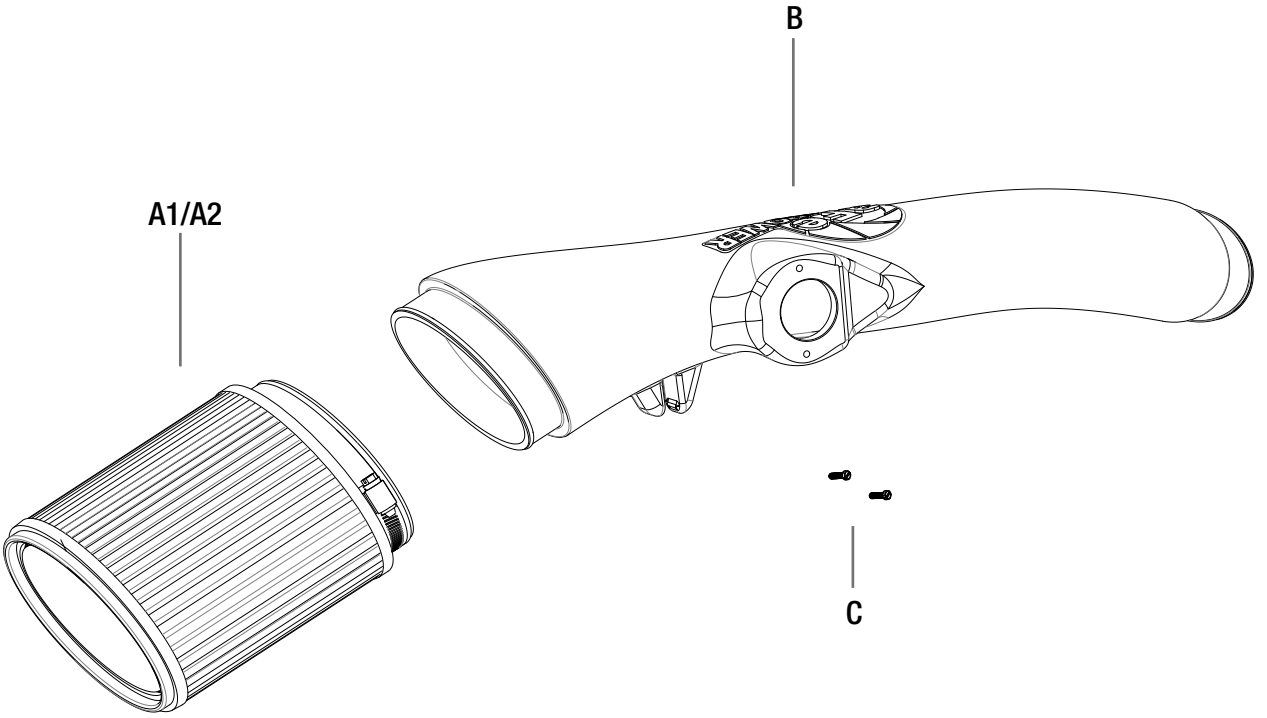
- Please read the entire instruction manual before proceeding.
- Ensure all components listed are present.
- If you are missing any of the components, call customer support at 951-493-7100.
- Ensure you have all necessary tools before proceeding.
- Do not attempt to work on your vehicle when the engine is hot.
- Disconnect the negative battery terminal before proceeding.
- Retain factory parts for future use.

Label	Qty.	Description	Part Number
A1	1	Air Filter (Pro DRY S)	21-90083
A2	1	Air Filter (Pro 5R)	24-90083
B	1	Tube	05-31912B1
C	2	Screws, M4	03-50490

Installation will require the following tools: 6mm nut driver, 8mm nut driver, and T25 torq bit and driver.

Warranty Information available at <https://afepower.com/contact#warranty>

Note: Legal in California for use on race vehicles only. The use of this device on vehicles used on public streets or highways is strictly prohibited in California and others states that have adopted California emission regulations.



**Figure A****Refer to Figure A for steps 1-5**

Step 1. Unclip the factory air-box in (4) places. ①

Step 2. Loosen the first hose clamp after the Mass Air Flow (MAF) sensor. ②

Step 3. Lift the OE tube up enough to disconnect the MAF sensor.

Step 4. Remove the OE intake tube and air filter.

Step 5. The lower half of the factory air-box should remain in place and will be reused.

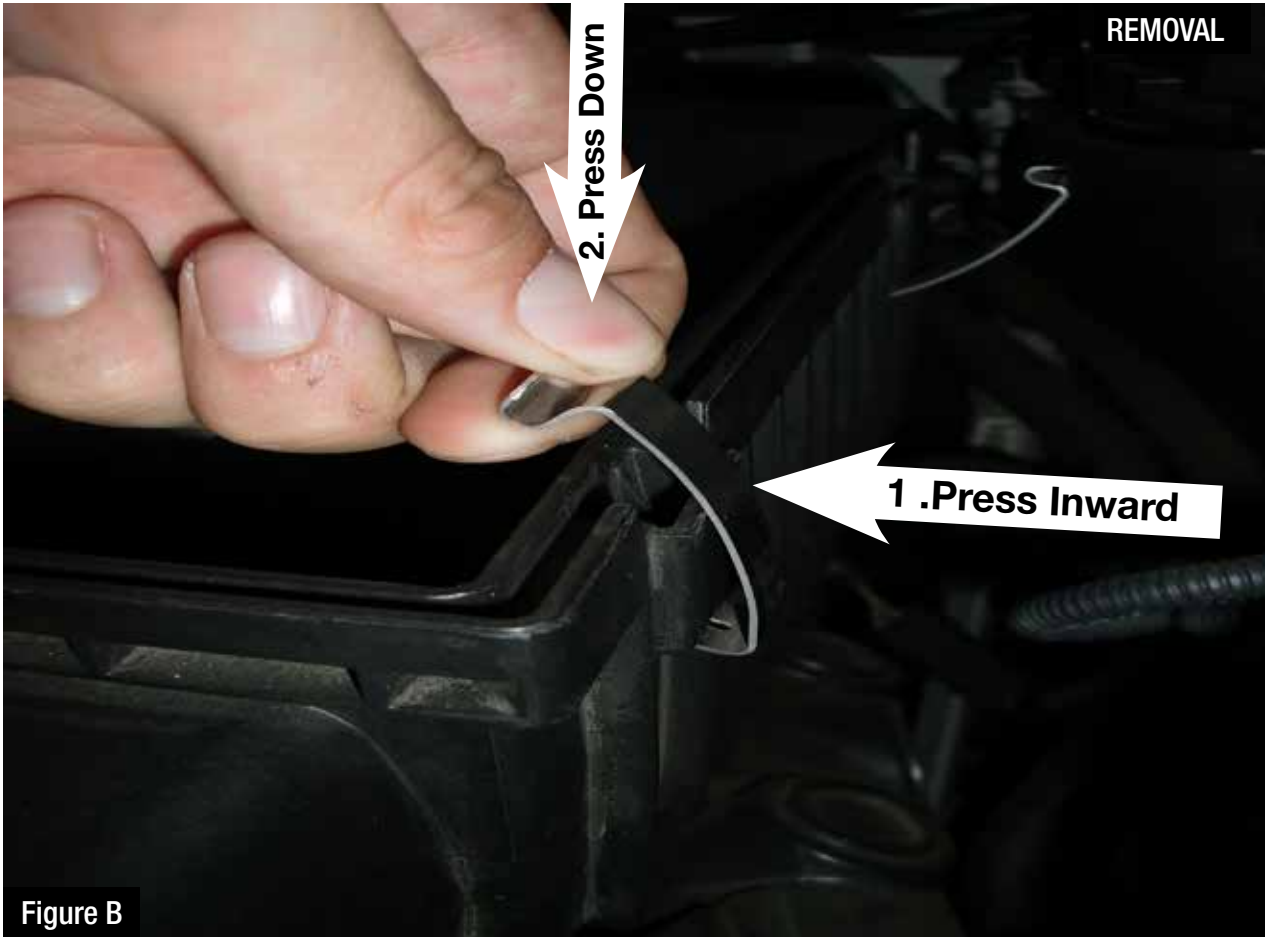


Figure B

Refer to Figure B for step 6-7

Step 6. If you purchased the available Magnum FORCE Stage-2 Intake System Cover, then the (4) metal clips can remain in place.

Step 7. If you are planning on running the intake without the intake cover then the (4) metal clips can be removed by pushing them all the way closed and then pushing down firmly.

**Figure C****Refer to Figure C for steps 8-9**

Step 8. Use a T25 Torq to remove the two screws from the MAF sensor on the OE intake tube.

Step 9. Pull the sensor straight out to remove it.



Figure D

Refer to Figure D for steps 10

Step 10. Install the MAF sensor into the new aFe intake tube using the supplied M4 screws.

**Figure E****Refer to Figure E for steps 11-14**

- Step 11. Install either the PDS (Maximum convenience) or P5R (Maximum Performance) aFe air filter onto the end of the tube so that the intake can be installed as one assembly.
- Step 12. Plug the MAF sensor in first and then place the end of the tube into the OE coupling.
- Step 13. Press the aFe intake tube into place over the edge of the OE air box and tighten all of the clamps.
- Step 14. Black foam tape can be used to protect the surface of the air box or to tighten up the fitment from the aFe intake tube to OE air box.

Page left blank intentionally

Page left blank intentionally

Page left blank intentionally



advanced FLOW engineering, inc.
252 Granite Street Corona, CA 92879
<https://afepower.com/contact>