

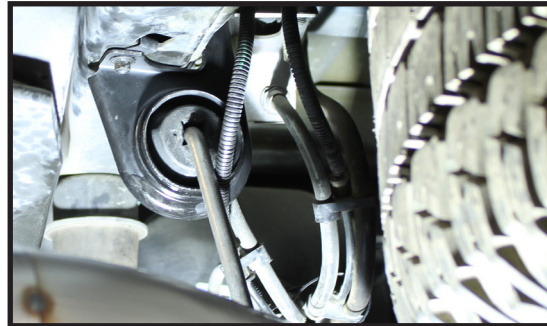
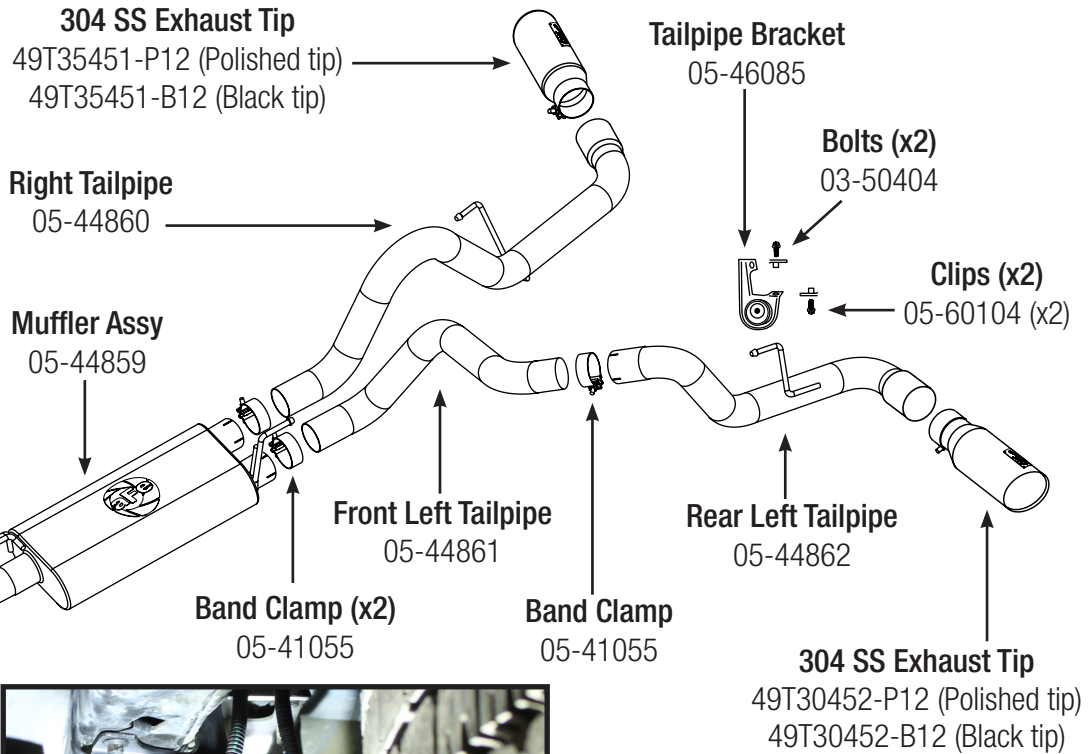
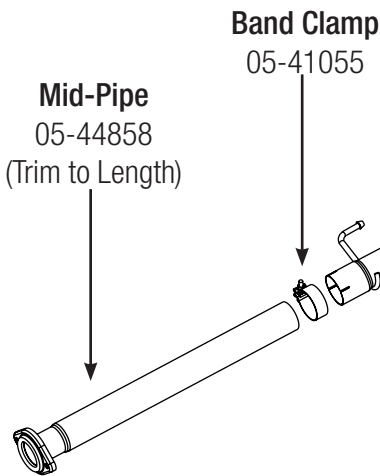
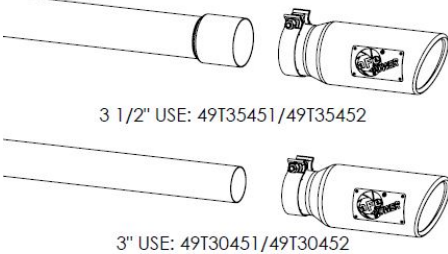


# INSTALLATION INSTRUCTIONS

MAKE: Ford  
 MODEL: F-150 EcoBoost  
 YEAR: 2011-2014  
 ENGINE: V6-3.5L  
 WHEELBASE: 145.7"-157 WB

**Cat-Back**  
**49-43056-P (Polished tips)**  
**49-43056-B (Black tips)**

## ORDERING REPLACEMENT TIPS?



- Step 1: (Read Instructions prior to installation)** Remove your stock exhaust up to the catalytic converter from the rear of your truck working your way forward. Take caution not to damage the factory hardware and isolation mounts as they will be reused.  
**It is recommended to not fully tighten the clamps until the entire system has been installed.**
- Step 2:** The included midpipe fits a 157" wheelbase. Depending on your wheelbase you may need to trim the midpipe to accommodate a shorter wheelbase.
- Step 3:** For "trimming" install the Muffler Assembly first using the factory isolation mounts. Next measure from the factory flange back to the end of the slip fit on the muffler assembly inlet tube. Measure twice, cut once.
- Step 4:** Insert and install the midpipe onto the muffler assembly. Do not fully tighten.
- Step 5:** Install the "Right" passenger side tailpipe first. Do not fully tighten.
- Step 6:** Next install the "Front Left Tailpipe", do not fully tighten.
- Step 7:** Install the OE factory isolation mount included with the kit. Locate the factory holes/slots in the frame directly opposite of the right side. The isolation mount will line up directly with the holes. Tighten the isolation mount to the frame using the frame clips and bolts.
- Step 8:** Install the "Rear Left Tailpipe", do not fully tighten.
- Step 9:** Install both tips onto the tailpipes. Position the tips to your desired angle. Do not fully tighten.
- Step 10:** Position the entire exhaust, tailpipes and tips. Start fully tightening all clamps from the front flange working your way to the rear tailpipes.
- Step 11:** If needed, zip ties are included with your kit to create additional clearances for the "Left Tailpipe" axle breather & brake hoses.
- Step 12:** Your installation is now complete. It is recommended to re-tighten all exhaust components after 50-100 miles.

### NOTES:

- aFe recommends that the tailpipe be at least 1/2"-1" away from any body panels to avoid heat related body damage. **Tighten and secure.**

**Caution:** Allow time for your vehicle to cool down prior to installation. When working on or under your vehicle proceed with caution. Exhaust systems reach high temperatures and may cause serious burns. Wear protective safety equipment; eye goggles and gloves to ensure a safe installation. **aFe recommends professional installation on our products.**