



INSTALLATION INSTRUCTIONS

MAKE: GM

MODEL: Silverado HD/Sierra HD

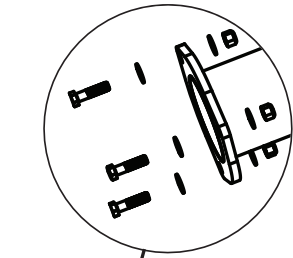
YEAR: 2007.5-2010

ENGINE: V8-6.6L (td) LMM

WHEELBASE: All except Cab & Chassis

**4" DPF-Back
49-44004**

Screws: 03-50046 (3)
Washers: 03-50048 (6)
Nuts: 05-40103 (3)



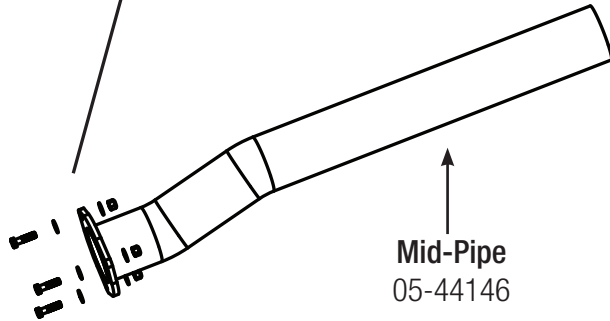
Hanger Clamp
05-41053



Polished Tip
49T40501-P121



Overaxle/Tail-Pipe
05-44147



Mid-Pipe
05-44146

Step 1: (Read Instructions prior to installation) Loosen mounting flange at rear of particulate filter before muffler. Remove the stock exhaust from the rear of the truck working your way forward. Take caution not to damage the factory isolation mounts and gasket as they will be reused. **It is recommended to not fully tighten the clamps until the entire system has been installed.**

Step 2: For faster installation spread the pieces of the exhaust along side of your vehicle according to the diagram shown.

Step 3: Install overaxle/tail-pipe, utilizing the factory isolation mounts. Now slip hanger clamp over expanded end of overaxle/tail-pipe.

Step 4: Install the mid-pipe using original gasket and supplied hardware. Regular cab and quad cab short bed will require that the mid-pipe be cut at the end opposite from the flange. Crew cab long bed will use the mid-pipe as is. The mid-pipe should be installed so that the jog brings the mid-pipe closer to the drive shaft for increased tail-pipe/shock clearance.

Step 6: Install the exhaust tip making sure not to cover the vent holes on the tailpipe. Adjust for alignment and tighten all connections. Your installation is now complete. It is recommended to re-tighten all exhaust components after the first 50-100 miles.

NOTES:

- aFe recommends that the tail-pipe be at least 1/2"-1" away from any body panels to avoid heat related body damage. **Tighten and secure.**

Caution: Allow time for your vehicle to cool down prior to installation. When working on or under your vehicle proceed with caution. Exhaust systems reach high temperatures and may cause serious burns. Wear protective safety equipment; eye goggles and gloves to ensure a safe installation. **aFe recommends professional installation on our products.**