



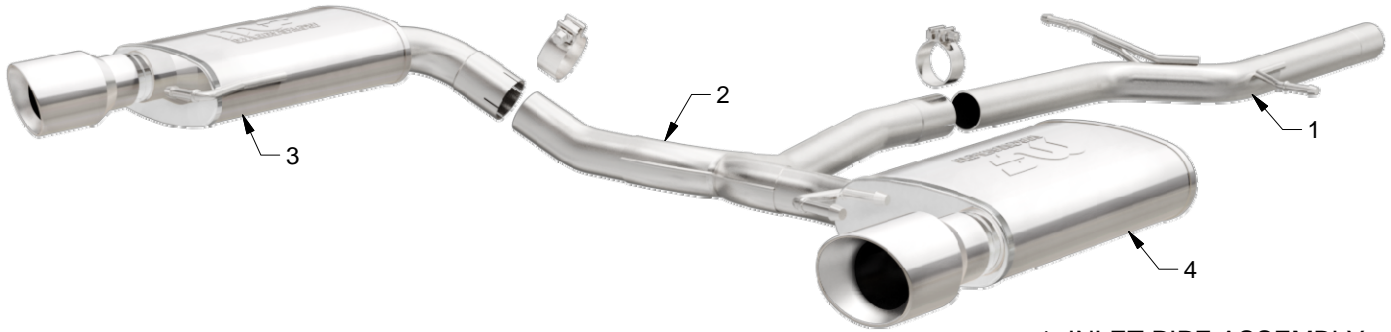
# INSTALLATION INSTRUCTIONS



2015 AUDI ALLROAD 2.0L

PART NO. 15369

## BILL OF MATERIALS:



- 1. INLET PIPE ASSEMBLY
- 2. Y-PIPE ASSEMBLY
- 3. MUFFLER ASSEMBLY D/S
- 4. MUFFLER ASSEMBLY P/S



WEAR SAFETY GLASSES



READ INSTRUCTIONS THOROUGHLY BEFORE INSTALLING PRODUCT

## SHOP SUPPLIES:



SPRAY LUBRICANT

To ease removal of existing exhaust components (especially on older vehicles) spray penetrating lubricant on all fasteners and hangers/insulators that will be loosened or removed and let soak before disassembly.

## HARDWARE KIT:

- 1.[3] 2.50" Clamp

## MINIMUM REQUIRED TOOLS:



15mm  
13mm



Hanger Tool  
(Or Pry Bar)

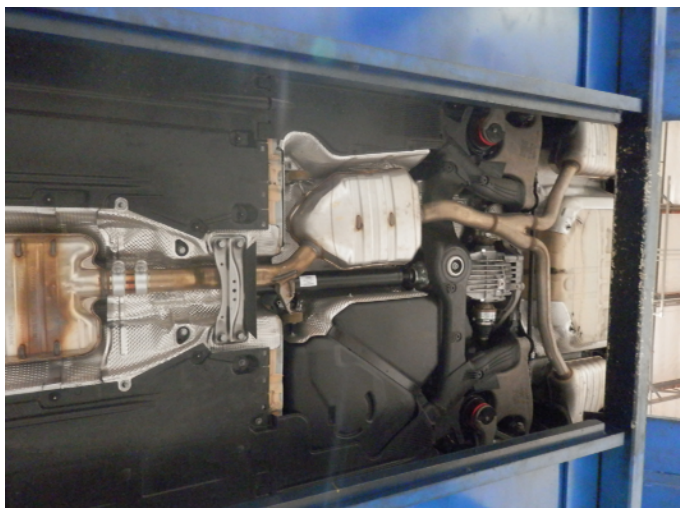
## MAGNAFLOW RECOMMENDS PROFESSIONAL INSTALLATION ON ALL THEIR PRODUCTS



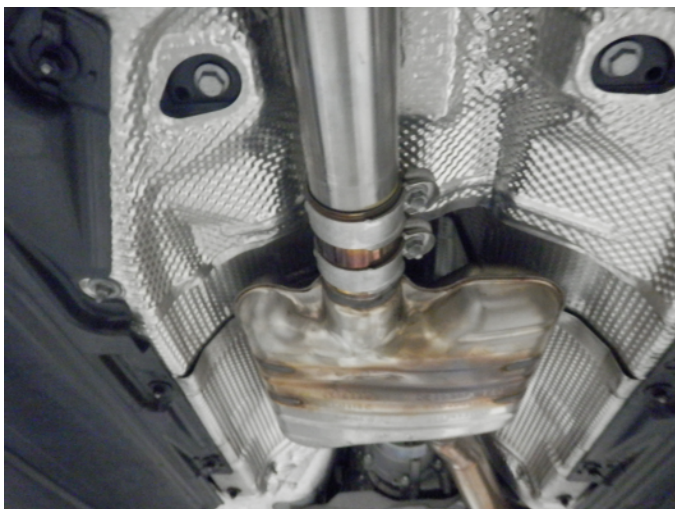
**WARNING:** When working on, under, or around any vehicle exercise caution. Please allow the vehicle's exhaust system to cool before removal, as exhaust system temperatures may cause severe burns. If working without a lift always consult vehicle manual for correct lifting specifications. Always wear safety glasses and ensure a safe work area. Serious injury or death could occur if safety measures are not followed.

**ATTENTION:** Always install any supplied band or U-bolt clamps to the proper torque specifications of 40-45 ft-lbs for band clamps and 30-35 ft-lbs for U-bolt clamps. Over tightening will result in the clamp breaking and will NOT be warranted by MagnaFlow.

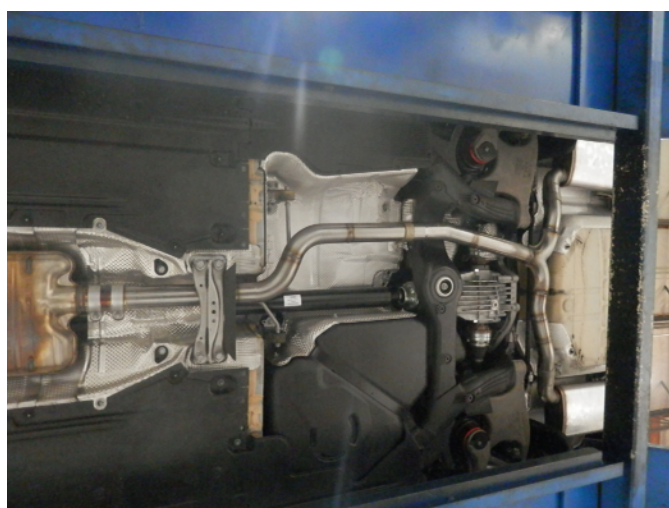
## INSTALLATION INSTRUCTIONS



**Step 1.** To remove the OEM exhaust system you will first need to loosen the clamp assembly just behind the vehicles front resonator. Working front to rear disengage all hangers from the rubber insulators. The OEM system may now be removed in one piece. Retain all mounting hardware and rubber insulators as they will be needed to mount your new system.



**Step 2.** Install your new MAGNAFLOW system by inserting the inlet end of the Inlet Pipe Assembly into the loosened OEM clamp. Locate the welded hangers to the rubber insulators. Keep all clamps loose for final adjustment of the system.



**Step 3.** Next loosely attach the inlet of the Y-Pipe Assembly to the outlet of the Inlet Pipe Assembly using the supplied clamp.



**Step 4.** Loosely install the Muffler Assemblies using the supplied clamps. Locate both welded hangers to the OEM rubber insulators.



**Step 5.** Once a final position has been chosen for the new exhaust system, evenly tighten all clamps from front to rear using the torque specifications on page one of the instructions. Inspect all fasteners after 25-50 miles of operation and re-tighten if necessary.