

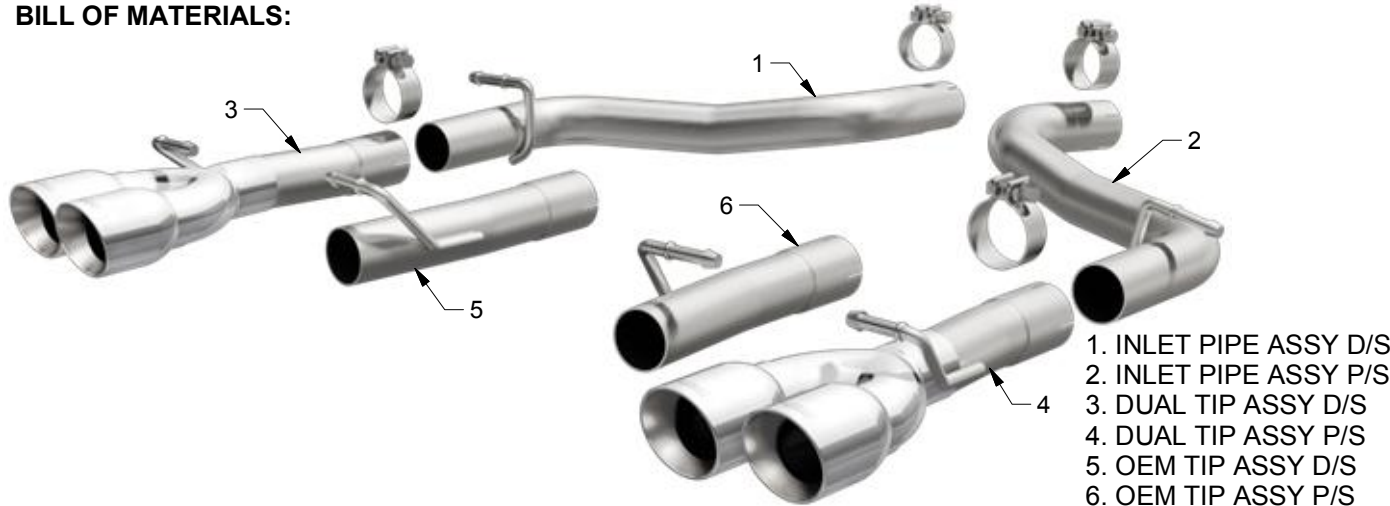


# INSTALLATION INSTRUCTIONS



15-17 DODGE CHALLENGER 3.6L | PART NO. 19218

### BILL OF MATERIALS:



WEAR SAFETY GLASSES



READ INSTRUCTIONS THOROUGHLY BEFORE INSTALLING PRODUCT

### SHOP SUPPLIES:



SPRAY LUBRICANT

To ease removal of existing exhaust components (especially on older vehicles) spray penetrating lubricant on all fasteners and hangers/insulators that will be loosened or removed and let soak before disassembly.

### HARDWARE KIT:

1. [2] 2.25" Torca Clamp
2. [2] 2.50" Torca Clamp

### MINIMUM REQUIRED TOOLS:



Hanger Tool (Or Pry Bar)



15mm  
10mm



Sawzall or similar cutting device

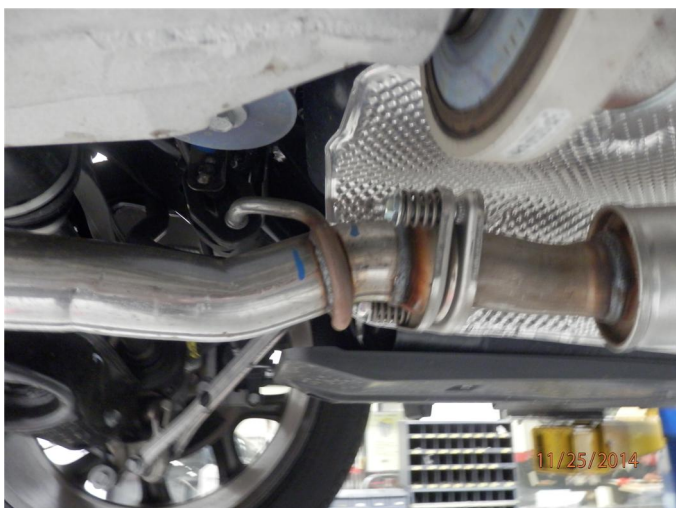
## MAGNAFLOW RECOMMENDS PROFESSIONAL INSTALLATION ON ALL THEIR PRODUCTS



**WARNING:** When working on, under, or around any vehicle exercise caution. Please allow the vehicle's exhaust system to cool before removal, as exhaust system temperatures may cause severe burns. If working without a lift always consult vehicle manual for correct lifting specifications. Always wear safety glasses and ensure a safe work area. Serious injury or death could occur if safety measures are not followed.

**ATTENTION:** Always install any supplied band or U-bolt clamps to the proper torque specifications of 40-45 ft-lbs for band clamps and 30-35 ft-lbs for U-bolt clamps. Over tightening will result in the clamp breaking and will NOT be warranted by MagnaFlow.

## INSTALLATION INSTRUCTIONS



**Step 1.** Begin removal of the OEM system by cutting both side of the systems exhaust pipes. For the drivers side cut 11" rearward of the welded hanger behind the flange junction as shown in the attached picture.



**Step 2.** For the passengers side cut 11" rearward of the welded hanger behind the muffler as shown in the attached picture. Next un-clip the ground strap from the passenger side muffler hanger. With the exhaust supported extract the hangers from the rubber insulators and remove the OEM muffler assemblies. De-burr and smooth the cut pipes to prepare them for the new exhaust. Do not discard or damage the rubber insulators as they will be used to install the new exhaust system.



**Step 3.** Begin installation of your new system by slipping each Inlet Pipe Assembly over the cut OEM outlet pipes. Loosely secure using the supplied 2.25" clamps. Locate the welded hangers to the rubber insulators. Remember to re-attach the ground strap to the hanger. At this point you have two options for tips. Magnaflow supplies a Quad tip setup or an extension pipe assembly to allow the original OEM tips. Select the desired option before continuing the installation.



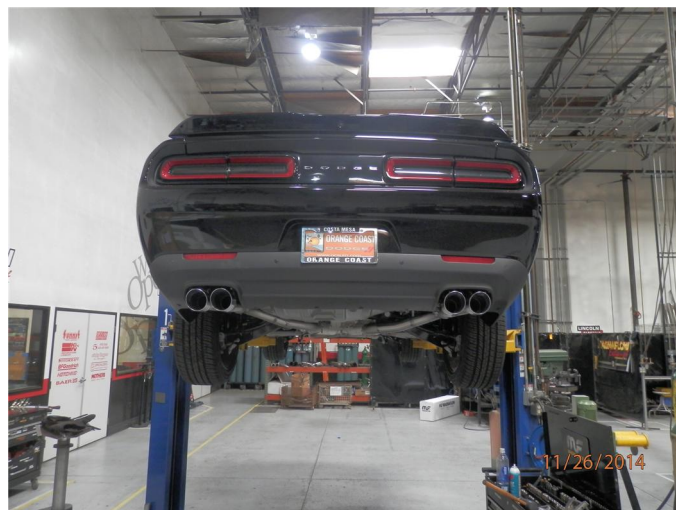
**Step 4.** To retain the OEM tips on your vehicle select the two OEM Tip Assemblies. Loosely attach each pipe inlet to the Over Axle Pipes outlets using the supplied 2.50" clamps. Engage the welded hangers for each to the rubber insulators.



**Step 5.** To install the Quad Tip option supplied you will first need to remove the OEM tips from the vehicles valence. Remove the four bolts attaching each tip with a 10mm socket.



**Step 6.** Once the tips are removed install the Quad Tip Tailpipe Assemblies using the 2.50" supplied clamps. Locate both welded hangers to the rubber insulators.



**Step 7.** Once a final position has been chosen for the new exhaust system, evenly tighten all clamps from front to rear using the torque specifications on page one of the instructions. Inspect all fasteners after 25-50 miles of operation and re-tighten if necessary.