

FITTING INSTRUCTIONS

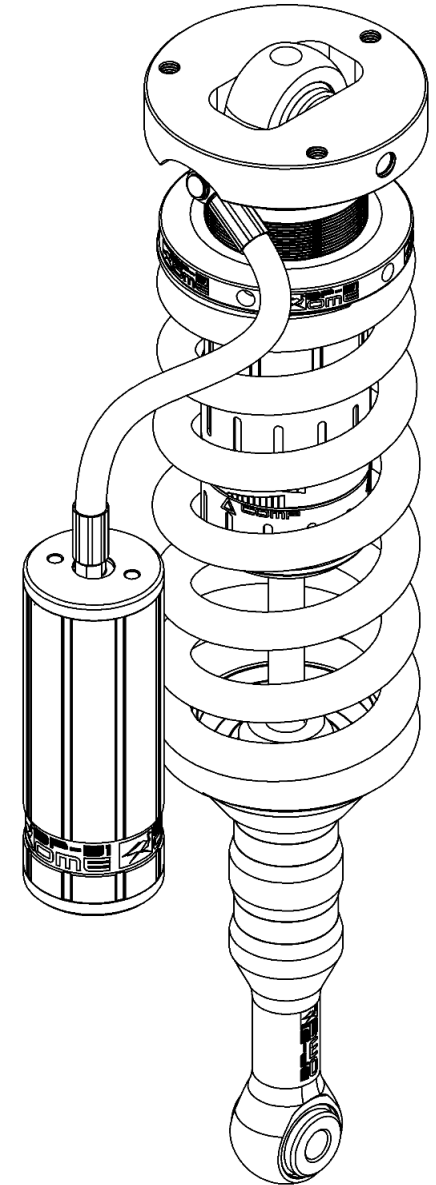
BP5190001L & BP5190001R

TOYOTA HILUX 05 ON FRONT

WARNING

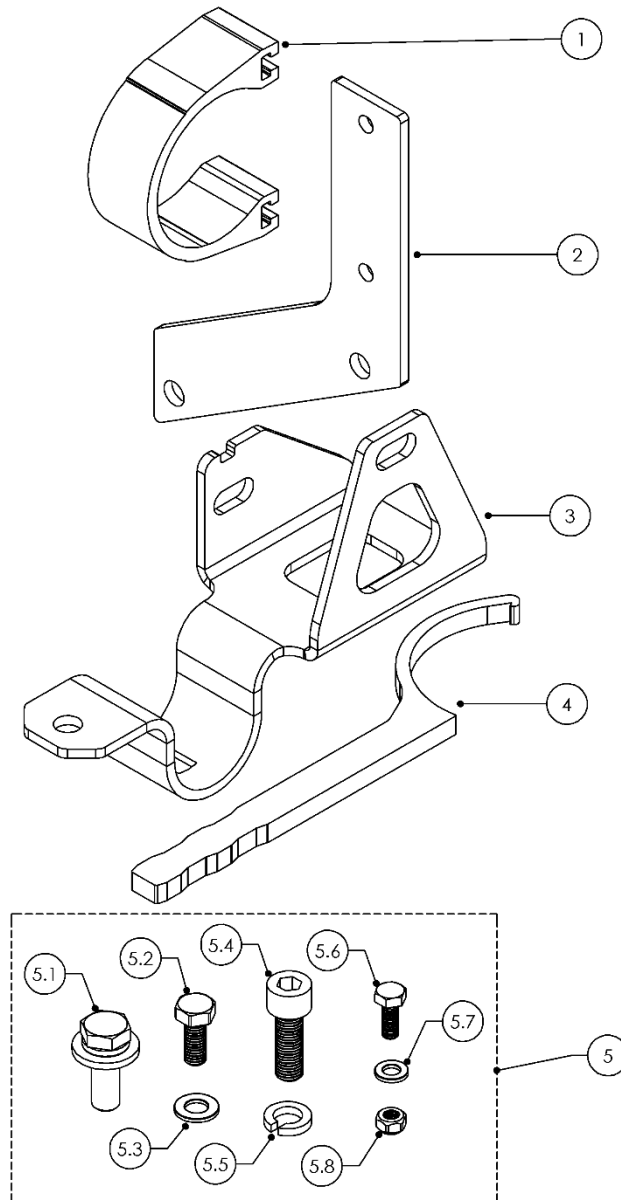
- ◆ This product must be installed exactly as per these instructions using only the hardware supplied.
- ◆ In the event of damage to any suspension component, contact your nearest authorised ARB stockist. Repairs or modifications to the suspension system components must not be attempted.
- ◆ Do not use this product for any vehicle make or model, other than those specified by ARB.
- ◆ Do not remove labels from suspension components.
- ◆ This product or its fixing must not be modified in any way.
- ◆ The installation of this product may require the use of specialized tools and/or techniques
- ◆ It is recommended that this product is only installed by trained personnel
- ◆ These instructions are correct as at the publication date. ARB Corporation Ltd. cannot be held responsible for the impact of any changes subsequently made by the vehicle manufacturer
- ◆ During installation, it is the duty of the installer to check correct operation/clearances of all components
- ◆ Work safely at all times

Note: These fitting instructions should be read in conjunction with the vehicle workshop manual.



FITTING KIT CONTENTS – VM80010001

Item	Description	Qty.	Part No.
1	RESERVOIR CLAMP	2	VE10010003
2	HILUX RESERVOIR BRACKET FRONT	2	VE10020004
3	SWAY BAR BRACKET LEFT	1	VE10030001L
3	SWAY BAR BRACKET RIGHT (SHOWN)	1	VE10030001R
4	ADJUSTER TOOL	1	VC10010071
5	HILUX FASTENER KIT FRONT	1	VM60010002
5.1	M10 X 1.5 X 20MM BOLT KIT	6	6151555
5.2	M8 X 1.25 X 20 BOLT	6	VD6003001
5.3	M8 X WASHER BLACK	6	VE70020004
5.4	M10 X 1.25 X 30 SHCS BOLT	2	VD60020003
5.5	M10 SPRING WASHER	2	4581292
5.6	M6 X 16MM BOLT	4	VD60030003
5.7	M6 WASHER	4	VE70020005
5.8	M6 NYLOC NUT	4	VD60010003



DAMPER PREPARATION

Before fitment the spring preload may need to be adjusted to suit your front accessory fitment and desired ride height.

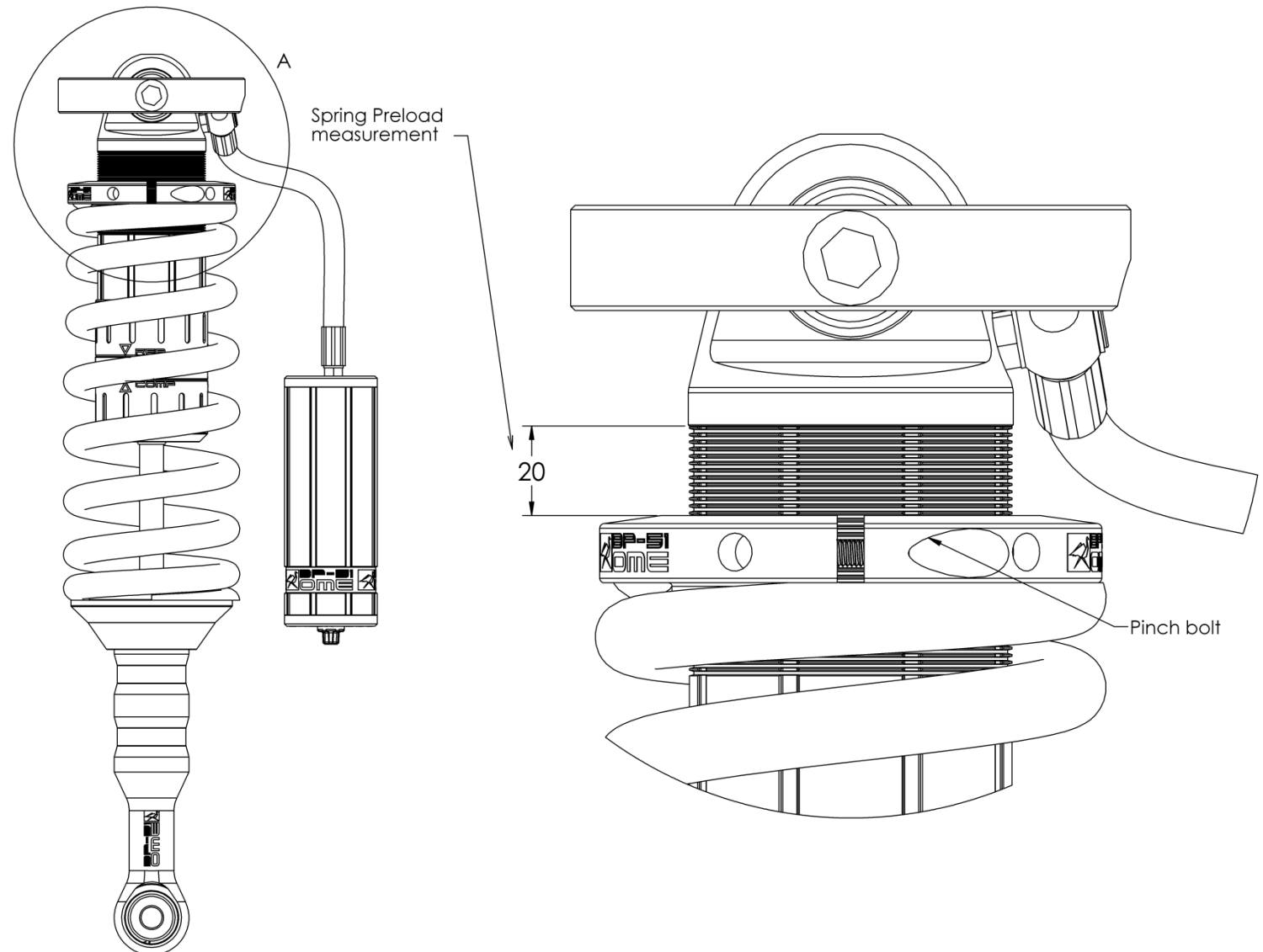
Use workshop tool kit VM80020001 to aid spring adjustment.

The preload is set at the factory to 20mm as shown by the diagram. This aims to achieve 30-40mm increase in ride height over OE when a Bull Bar and winch are fitted.

It is required to set the preload before the strut assembly is fitted to the vehicle. Use a spring compressor to compress the spring, loosen the pinch bolt on the preload ring and adjust to the desired setting. Tighten the pinch bolt and remove the strut assembly from the spring compressor.

As a guide, set the preload as specified below to achieve 30-40mm increase in ride height.

Front accessories	Preload	
	Diesel	Petrol
Bar & winch	20 mm	15 mm
Bar only	15 mm	10 mm
No accessories	10 mm	5 mm

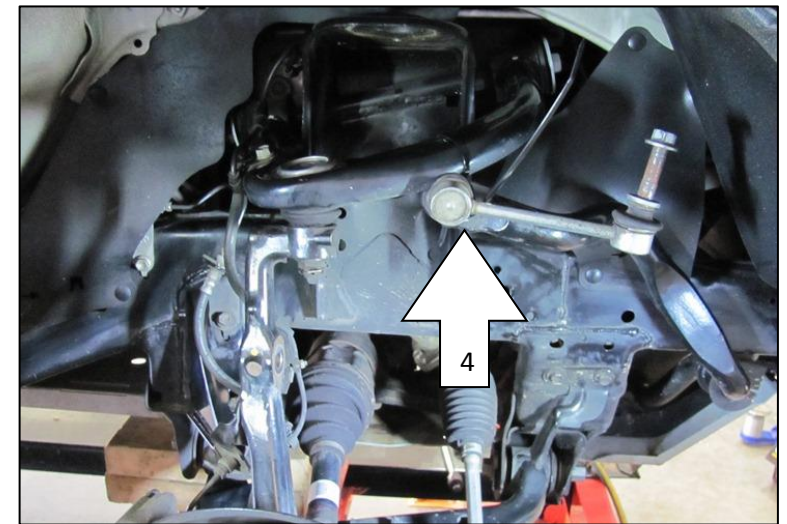
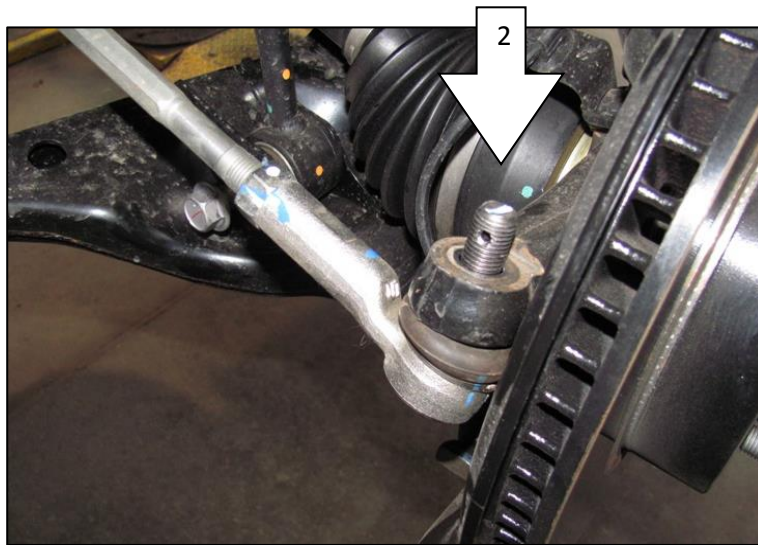
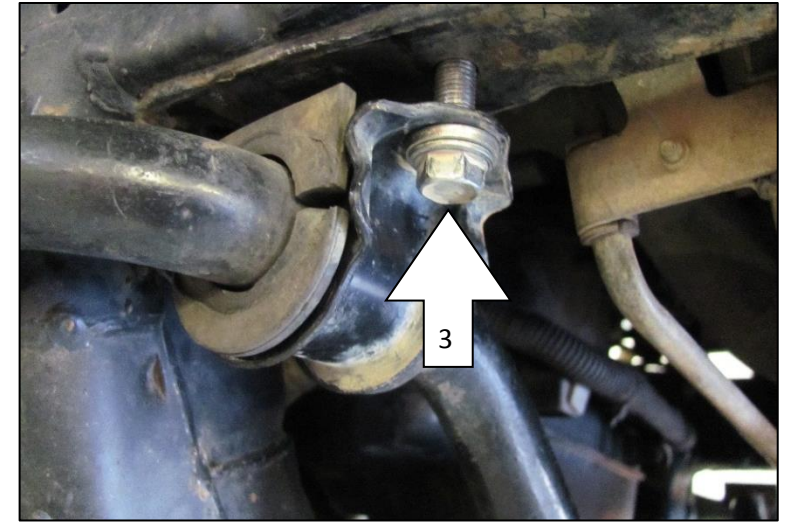
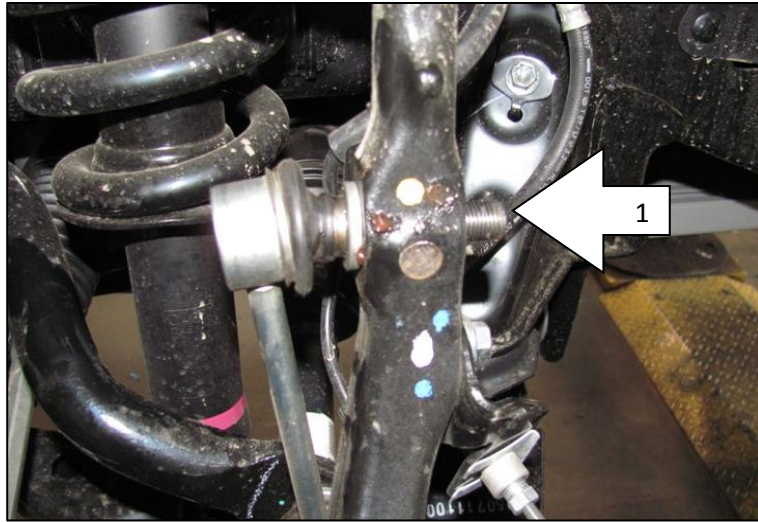


DAMPER MOUNTING SEQUENCE

Remove old dampers from vehicle.

For LH and RH detach sway bar link from spindle (1) and ball joint from steering arm (2) and remove sway bar saddles (3).

To provide good access for inserting the new strut assembly it helps to cable tie the sway bar to the upper arm (4).



DAMPER MOUNTING SEQUENCE

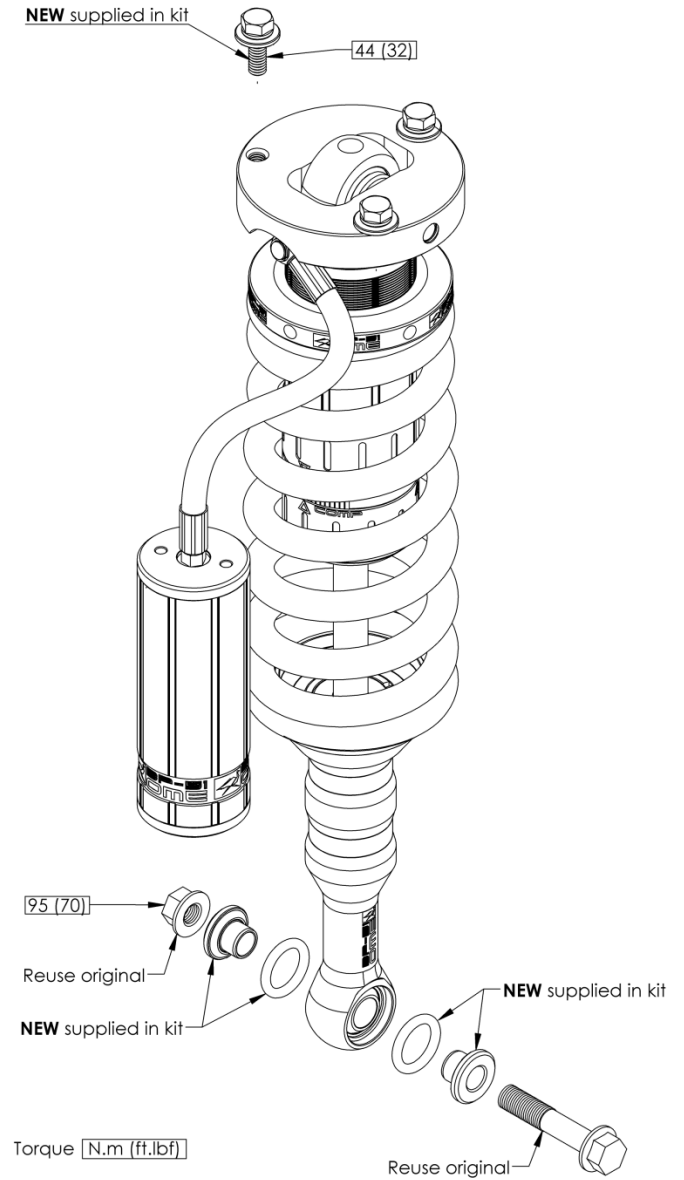
Left and Right Hand sides are the same with the exception of the way the hose exits the damper. L and R should be etched on the damper part number. When mounted in the vehicle the hose and reservoir should be towards the front.

Fit the damper and secure the top mount with bolts and washers finger tight (1).

Fit reducers and o-rings to eye as shown by exploded view and fit bottom mount to arm (2).

Secure bottom mount using original bolt and nut.

Fasten top three bolts and bottom bolt securely.



RESERVOIR MOUNTING SEQUENCE

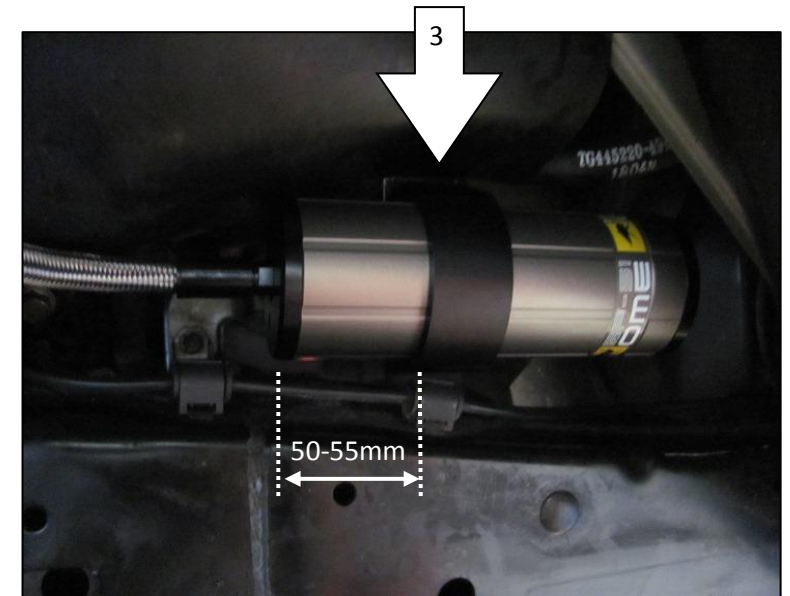
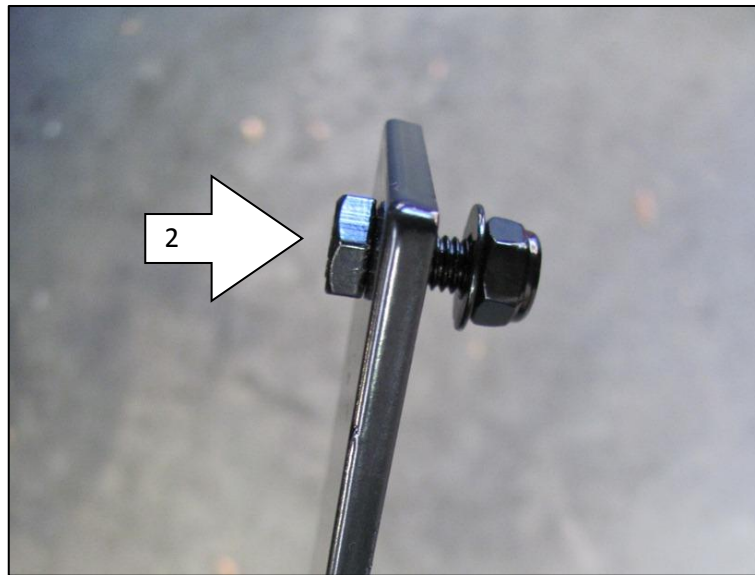
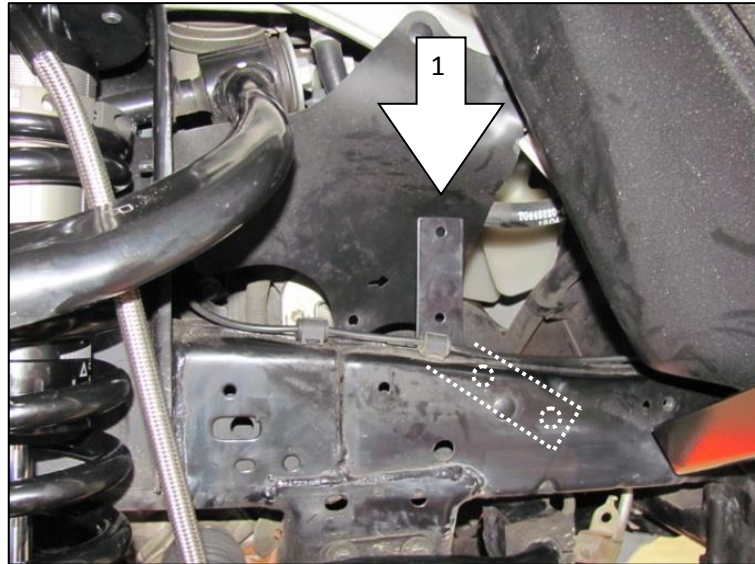
Fit the reservoir mounting plate to the **inside of the chassis rail** as shown (1). Secure with new M8 bolt and flat washer.

Fit M6 bolts to mounting plate and secure with nyloc nut and flat washer (2).

The nuts and washers should be to the inside with bolts to the outside to accept the reservoir mounting saddle.

Secure finger tight only at this stage.

Fit the mounting saddle to the reservoir and slide over the heads of the bolts in the mounting plate. Centralise the saddle on the plate and adjust the position of the reservoir as shown (3). Securely fasten M6 nuts.



NEW SWAY BAR SADDLE FITMENT

Remove bolt that secures air-conditioning piping to inside of chassis rail.

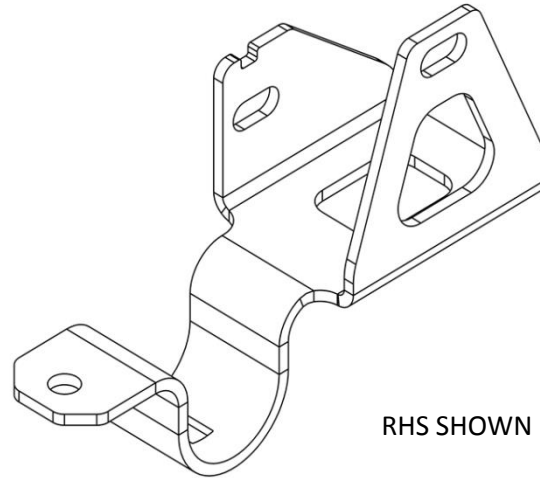
Fit new sway bar saddle as shown and secure with new socket head cap screw and washer (1).

Secure to inside of chassis rail through Air condition piping bracket using original bolt as shown (2).

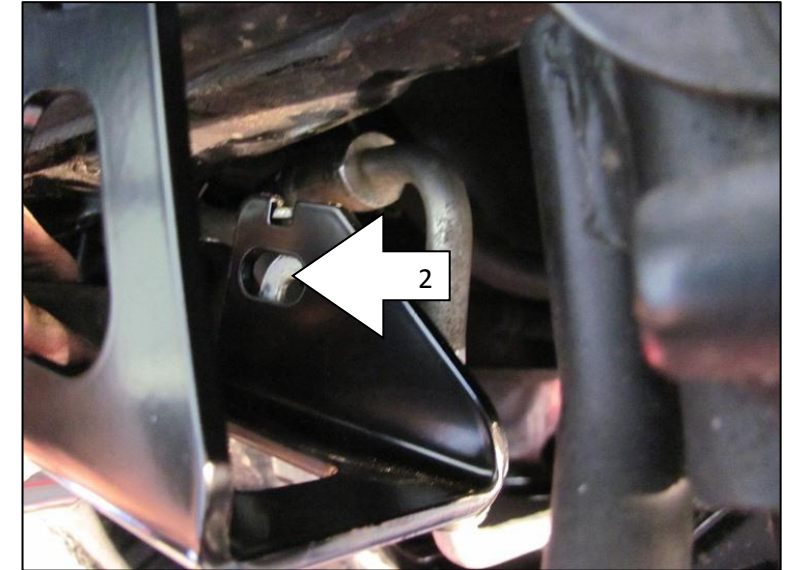
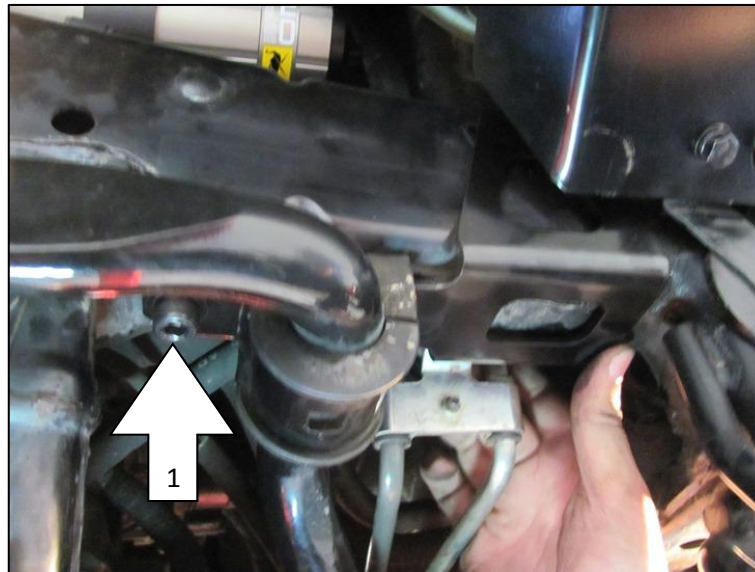
Secure to outside of chassis rail using new M8 bolt and washer supplied.

Check all fasteners are tightened securely as per table below and figures on exploded diagram (page 4).

Fastener	Torque N.m (ft.lb)
Sway bar link to upright	70 (52)
Steering tie rod end to upright	88 (65)
Sway bar brkt to chassis	40 (30)
Strut top hat	44 (32)
Strut to lower control arm	95 (70)



RHS SHOWN



DAMPING ADJUSTMENT

These dampers have been set in the factory to be used for a vehicle with Bull Bar and Winch fitted.

If your accessory fitment differs, use the table below as a guide for recommended Compression and Rebound adjuster settings.

Refer to the Owner's Manual for more information.

Front Accessories	Compression	Rebound
Factory setting	4	6
Bar & winch	4-8	6-10
Bar only	2-6	5-9
No accessories	0-4	4-8

SPECIFICATIONS

- | | | |
|---|-------------------|--------|
| 1 | Extended Length | 545 mm |
| 2 | Compressed Length | 439 mm |

SPARE PARTS

Refer to Service And Parts Manual, section: **BP-51 S&P 3.1-BP5190001L&R.**

