



WWW.SMITTYBILT.COM

Installation Instructions
Defender Rack Adjust-A-Mount
Application-Universal
Part # AM4, AM6, AM8
AM10, AM12

Please read instructions entirely before installing this product. Drilling is required to install this product.

Part# AM4

Parts Included	Qty
Hinge mount (AM)	4
"L" bracket (D8107A)	4
Hardware Kit (AM-4-HP)	
1/4" well nut	8
1/4"x.75"	8
1/4" flat washer	8

Parts Included	Qty
1/4" lock washer	8
5/16"x3/4" bolt	16
5/16" flat washer	32
5/16" lock washer	16
5/16" nut	16

Part# AM6

Parts Included	Qty
Hinge mount (AM)	6
"L" bracket (D8107A)	6
Hardware Kit (AM-6-HP)	
1/4" well nut	12
1/4"x.75"	12
1/4" flat washer	12

Parts Included	Qty
1/4" lock washer	12
5/16"x3/4" bolt	24
5/16" flat washer	48
5/16" lock washer	24
5/16" nut	24

Part# AM8

Parts Included	Qty
Hinge mount (AM)	8
"L" bracket (D8107A)	8
Hardware Kit (AM-8-HP)	
1/4" well nut	16
1/4"x.75"	16
1/4" flat washer	16

Parts Included	Qty
1/4" lock washer	16
5/16"x3/4" bolt	32
5/16" flat washer	64
5/16" lock washer	32
5/16" nut	32

For Technical Support/Warranty Information please call 310-762-9944

Smittybilt, 400 West Artesia Blvd, Compton, CA 90220



WWW.SMITTYBILT.COM

Installation Instructions
Defender Rack Adjust-A-Mount
Application-Universal
Part # AM4, AM6, AM8
AM10, AM12

Part# AM10

Parts Included	Qty
Hinge mount (AM)	10
"L" bracket (D8107A)	10
Hardware Kit (AM-10-HP)	
1/4" well nut	20
1/4"x.75"	20
1/4" flat washer	20

Parts Included	Qty
1/4" lock washer	20
5/16"x3/4" bolt	40
5/16" flat washer	80
5/16" lock washer	40
5/16" nut	40

Part# AM12

Parts Included	Qty
Hinge mount (AM)	12
"L" bracket (D8107A)	12
Hardware Kit (AM-12-HP)	
1/4" well nut	24
1/4"x.75"	24
1/4" flat washer	24

Parts Included	Qty
1/4" lock washer	24
5/16"x3/4" bolt	48
5/16" flat washer	96
5/16" lock washer	48
5/16" nut	48

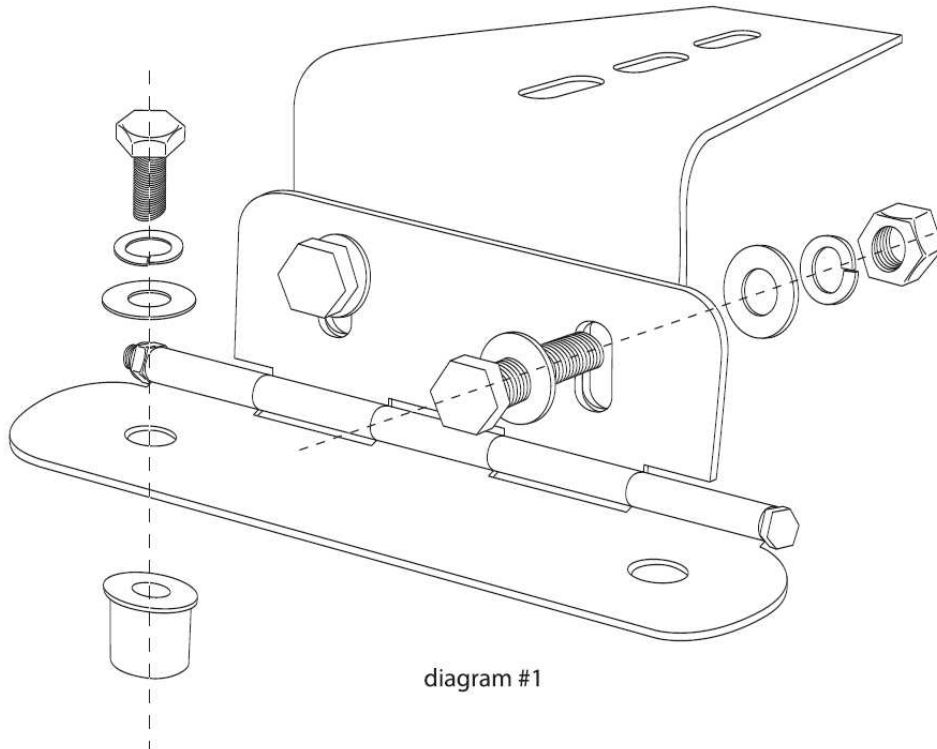
- Step 1:** Assemble hinge mounts and "L" brackets (see diagram #1)
- Step 2:** Place Defender Rack on roof. Attach mounting brackets to rack with 5/16" hardware and tighten snug, but not completely. Note that the base of the hinge brackets can be mounted in 2 different positions for clearance (see diagrams #2 &3). Position rack and mark 4 outside corner mounting holes. Remove rack. Using a sheet metal bit, drill 1/2" mounting holes and install 1/4" well nuts. **!!!! Use caution when drilling through roof. Check all clearances and /or obstructions prior to drilling!!!!**
- Step 3:** Place rack on roof and secure with (4) 1/4" bolts. Do not tighten fully at this time.
- Step 4:** Mark the remaining mounting holes. Remove the rack assembly and drill the remaining 1/2" holes. Install 1/4" well nuts in the holes and re-install the rack assembly. Tighten 1/4" bolts first, then the rest of the hardware.

For Technical Support/Warranty Information please call 310-762-9944



WWW.SMITTYBILT.COM

Installation Instructions
Defender Rack Adjust-A-Mount
Application-Universal
Part # AM4, AM6, AM8
AM10, AM12



For Technical Support/Warranty Information please call 310-762-9944

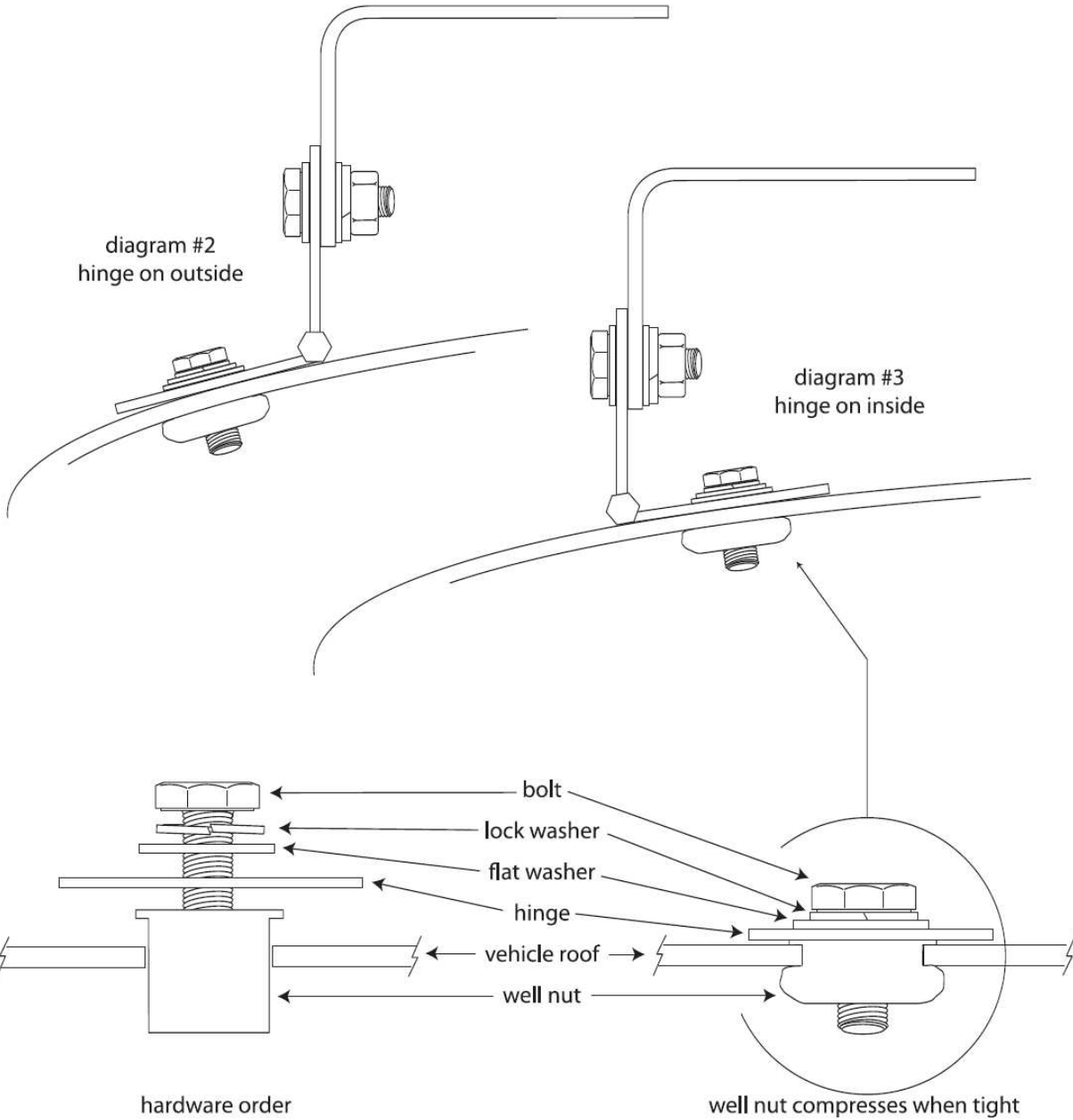
Smittybilt, 400 West Artesia Blvd, Compton, CA 90220



WWW.SMITTYBILT.COM

Installation Instructions
Defender Rack Adjust-A-Mount
Application-Universal
Part # AM4, AM6, AM8
AM10, AM12

well nut installation guide.



For Technical Support/Warranty Information please call 310-762-9944

Smittybilt, 400 West Artesia Blvd, Compton, CA 90220



WWW.SMITTYBILT.COM

Installation Instructions
Defender Rack Adjust-A-Mount
Application-Universal
Part # AM4, AM6, AM8
AM10, AM12

Note: Defender Roof Racks are rated for loads of no more than 150lbs. evenly distributed. When carrying a spare tire, the tire should not exceed 33" diameter

Grade 8 nut torque specifications

Standard		Metric	
5/16" nuts	20 ft. lbs.	M6	9 ft. lbs.
3/8" nuts	35 ft. lbs.	M8	23 ft. lbs.
7/16"nuts	60 ft. lbs.	M10	45 ft. lbs.
1/2" nuts	90 ft. lbs.	M12	75 ft. lbs.
9/16" nuts	160 ft. lbs.	M14	120 ft. lbs.
5/8" nuts	175 ft. lbs.	M16	165 ft. lbs.

Limited Warranties

Smittybilt's products are covered under the following limited warranties only. Note that the duration of the limited warranty differs according to the material and finish of the product purchased. Subject to the duration and conditions of the limited warranty stated below, Smittybilt warrants to the original retail purchaser that its products are free from defects in material and workmanship. All other warranties and representations express or implied, are hereby disclaimed, including fitness for merchantability and buyer's intended use or purpose. All parts are sold "AS IS" except for the limited warranties granted herein. Buyer assumes all risks as to the selection, suitability and performance of all goods and products selected. This limited warranty does not cover damage or impairment in any part due to misuse, improper installation, accident or contact with on-road or off-road hazards, product modification, improper or inadequate cleaning and/or maintenance. Smittybilt is not responsible for items damaged during shipping. This warranty is not transferable from the original buyer. For the original Buyer to be eligible for the limited warranty coverage, the Buyer must provide proof of purchase. Smittybilt strongly recommends returning the warranty registration card. Customer's remedy hereunder shall be limited only to repair or replacement (at Smittybilt's option) of any defective part(s) returned to Smittybilt at customer's expense. The determination of whether or not a returned part is defective or subject to coverage under the limited warranties stated herein shall be made at Smittybilt's sole discretion.

To assure product quality, Smittybilt reserves the right to change product design, material, specification and finishes without prior notice to customers. This limited warranty gives you specific legal rights and you may also have other rights, which may vary from state to state. Some states do not allow limitations on how long an implied warranty lasts, so the above limitations may not apply as to you. Also, some states do not allow the exclusion or limitation of incidental or consequential damages, so the above limitations or exclusions may not apply to you. Smittybilt reserves the right to discontinue product lines and substitute products, or provide other remedies than those listed in this limited warranty for those discontinued products.

Warning

Rollover and other types of vehicle accidents may result in serious injury or death to you, your passengers and others sharing the road. Smittybilt accessories are decorative and are not intended to reduce or avoid injury or damage in the event of an accident. The weight and location of Smittybilt accessories may affect your vehicles' handling, stability and performance, creating an increased risk of accident or rollover. Before installing any accessory, check state laws and assure that the accessory will not obscure any lights or interfere with proper operation on your vehicle's safety equipment. Consult your owner's manual and the Smittybilt instructions, or additional safety information. Smittybilt products, nor the warnings contained herein, are not a substitute for your safe driving. Don't drink and drive, always use seat belts and don't drive faster than conditions permit.

For Technical Support/Warranty Information please call 310-762-9944

Smittybilt, 400 West Artesia Blvd, Compton, CA 90220