



Installation Instructions

Winch Mount

Product Number: N3450

Application: 2016 Nissan Titan XD

SAFETY

Your safety and the safety of others is very important.

- In order to help you make informed decisions about safety, we have provided installation instructions and other information.
- These instructions alert you to potential hazards that could hurt you or others.
- Please do a job safety analysis (JSA) before each task to identify potential hazards for your situation and remove/protect against them.
- You must use your own good judgment, and take your time.

Read and understand all safety precautions and instructions before installing this product.

THIS PRODUCT IS FOR OFFROAD USE ONLY. ALL LIABILITY FOR INSTALLATION AND USE RESTS WITH THE OWNER.

CARELESS INSTALLATION AND OPERATION CAN RESULT IN SERIOUS INJURY OR EQUIPMENT DAMAGE.

Injury hazard

Failure to observe these instructions could lead to severe injury or death.

- Always** remove jewelry and wear eye protection.
- Always** use extreme caution when jacking up a vehicle for work. Set emergency brake and use tire blocks. Locate and use the vehicle manufacturers designated lifting points. Use jack stands.
- Always** use appropriate and adequate care in lifting components into place.
- Always** insure components will remain secure during installation and operation.
- Always** wear safety glasses when installing this kit. A drilling operation will cause flying metal chips. Flying chips can cause serious eye injury.
- Always** use extreme caution when drilling on a vehicle. Thoroughly inspect the area to be drilled (on both sides of material) prior to drilling, and relocate any objects that may be damaged.
- Always** use extreme caution when cutting and trimming during fitting.
- Always** tighten all nuts and bolts securely per installation instructions.
- Always** route electrical cables carefully. Avoid moving parts, components that become hot and rough or sharp edges.
- Always** insulate and protect all exposed wiring and electrical terminals.
- Always** perform regular inspections and maintenance on mounts and related hardware.



Installation Instructions

Winch Mount

Product Number: N3450

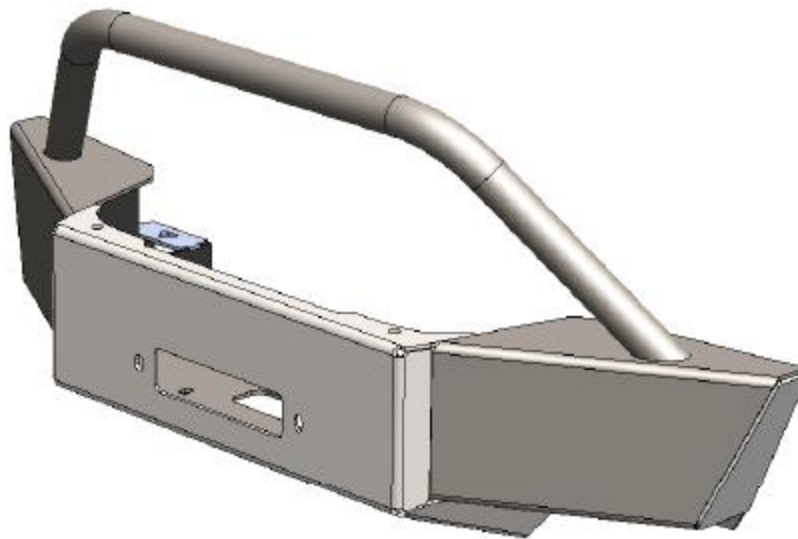
Application: 2016 Nissan Titan XD

I. Overview

Congratulations on your new purchase of the industries' best and most stylish winch mount available for the 2016 Nissan Titan XD! This winch mount has been engineered for strength.

Your winch mount is designed in 3-D from digitized data, CNC laser cut, fabricated, and powder coated...all in the U.S.A.

Enjoy the fit and finish of a quality Titan XD Winch Mount from Fab Fours Inc.





Installation Instructions

Winch Mount

Product Number: N3450

Application: 2016 Nissan Titan XD

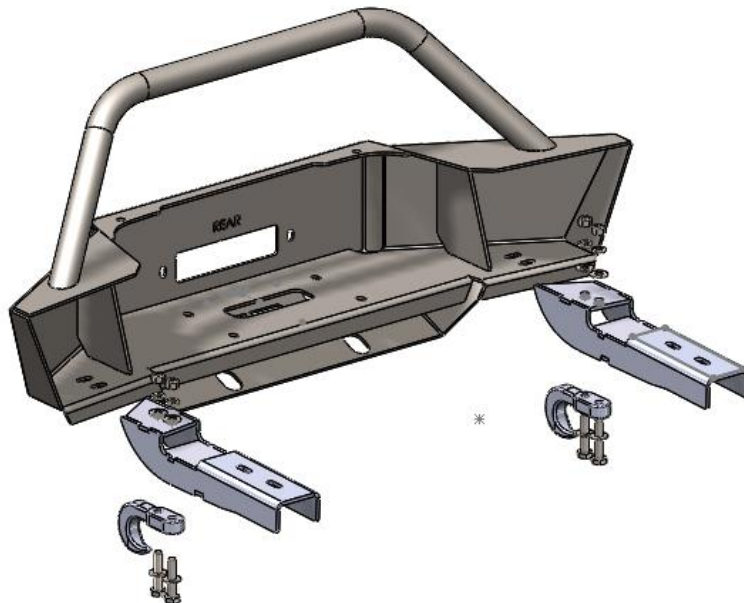
II. Tools Required

- ½” Drive Socket Wrench with 3” Extension
- Socket set
- ½” Drive Torque Wrench
- Wrench set

III. Kit Contents

QTY	DESCRIPTION	FAB FOURS PART NUMBER
x 1	Winch Mount	N3450
x 2	Tow Hook	61366
x 1	N3250 Hardware Kit	50031-HW
x 1	N3450 Nissan Titan XD Instruction Manual	N3450-IM
x 1	Passenger side mounting bracket	21121
x 1	Driver side mounting bracket	21122

IV. Included Hardware





Installation Instructions

Winch Mount

Product Number: N3450

Application: 2016 Nissan Titan XD

V. Removal of OEM tow hooks

1. Remove the lower valance by removing 8 10mm bolts.



2. From the bottom of the vehicle, unscrew the fasteners holding the OEM tow hooks to the frame. It is a good idea to support the OEM bumper during this process

NOTE: Set aside any hardware removed as it will be re-used when installing the winch mount.

VI. Installation of Fab Fours Winch Mount

1. Review the provided exploded parts view.
2. Loosely install the provided bumper mounting brackets to the OEM tow hook locations using factory fasteners.
3. Reinstall the OEM valance using factory hardware.
4. Install the small frame winch (customer supplied).
5. With the aid of a lifting device or additional helpers, lift the winch mount and position it so that the mounts align to the mounts installed in Step 2. Install the supplied 1/2" Bolts through the tow hooks and winch mount into the brackets.
6. Torque all bolts.



Installation Instructions

Winch Mount

Product Number: N3450

Application: 2016 Nissan Titan XD

VII. Maintenance/Care

- Periodically check and tighten all fasteners
- Stripped, fractured, or bent bolts or nuts need to be replaced
- After washing of the vehicle make sure to fully dry all surfaces

VIII. Contact Information

Fab Fours Inc.
2213 Industrial Park Rd.
Lancaster, SC 29720

Phone (866)-385-1905
Fax (866)-574-1424
Email Support@fabfours.com



More than expected... Better than expected