



Installation Instructions Black Steel/Elite Front Bumper

Product Number: K2460,K2461,K2462,R2460,R2461,R2462

Application: '09+ Ram 1500 Trucks

SAFETY

Your safety and the safety of others is very important.

- In order to help you make informed decisions about safety, we have provided installation instructions and other information.
- These instructions alert you to potential hazards that could hurt you or others.
- Please do a job safety analysis (JSA) before each task to identify potential hazards for your situation and remove/protect against them.
- You must use your own good judgment, and take your time.

Read and understand all safety precautions and instructions before installing this product.

THIS PRODUCT IS FOR OFFROAD USE ONLY. ALL LIABILITY FOR INSTALLATION AND USE RESTS WITH THE OWNER.

CARELESS INSTALLATION AND OPERATION CAN RESULT IN SERIOUS INJURY OR EQUIPMENT DAMAGE.

Injury hazard

Failure to observe these instructions could lead to severe injury or death.

- Always** remove jewelry and wear eye protection.
- Always** use extreme caution when jacking up a vehicle for work. Set emergency brake and use tire blocks. Locate and use the vehicle manufacturers designated lifting points. Use jack stands.
- Always** use appropriate and adequate care in lifting components into place.
- Always** insure components will remain secure during installation and operation.
- Always** wear safety glasses when installing this kit. A drilling operation will cause flying metal chips. Flying chips can cause serious eye injury.
- Always** use extreme caution when drilling on a vehicle. Thoroughly inspect the area to be drilled (on both sides of material) prior to drilling, and relocate any objects that may be damaged.
- Always** use extreme caution when cutting and trimming during fitting.
- Always** tighten all nuts and bolts securely per installation instructions.
- Always** route electrical cables carefully. Avoid moving parts, components that become hot and rough or sharp edges.
- Always** insulate and protect all exposed wiring and electrical terminals.
- Always** perform regular inspections and maintenance on mounts and related hardware.



NOTE: Black Steel Accessory Compatibility

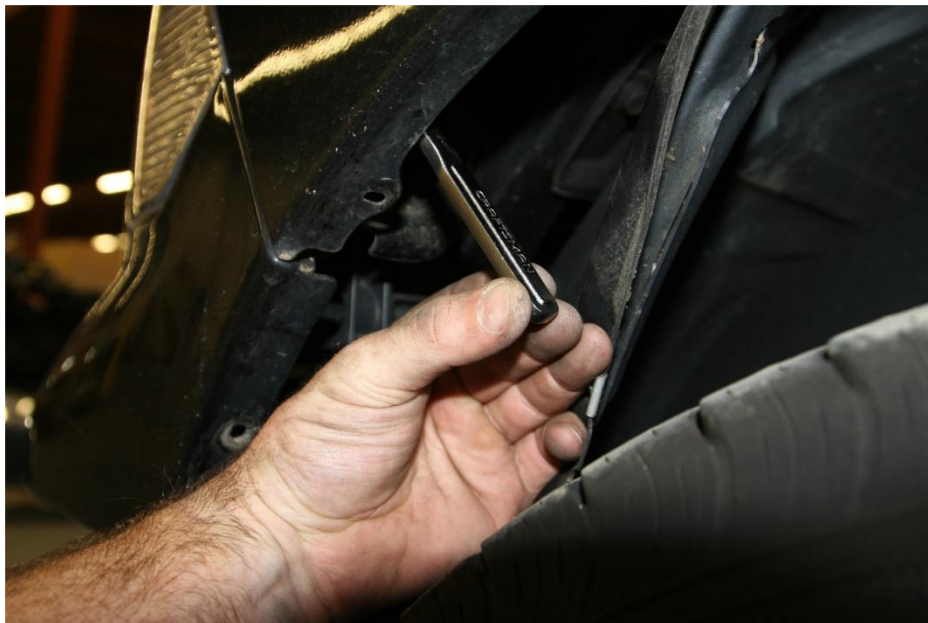
- This product **is** compatible with the Black Steel D-Ring mounting kit - M1850
- This product **is** compatible with the Black Steel Winch Mount kit 20483
- This product **is not** compatible with the Black Steel Winch Mount and 2" receiver hitch kits – M1650 & M1750

I. Tool List

- 8, 10, 18mm, 3/4" Wrenches
- 18mm, 3/4" Socket
- Socket wrench and short extension

II. OEM Bumper Removal

1. Disconnect the fog light harness on the driver side of the OEM bumper.
2. Using an 8mm wrench, remove the 2 small bolts from each fender well opening holding the painted plastic bumper fascia on.
3. Push inner fender towards the tire to gain access to the upper side bolts holding the plastic bumper fascia to the fender. Remove the bolt using a 10mm socket. See image below.



4. Pop the plastic bumper fascia off the truck by starting at the fender and pulling it towards yourself.
5. Remove the nuts from the backside of the frame mounting flange using a 18mm socket. Remove the OEM bumper.

6. Remove the 4 (2 per side) 10mm bolts from the plastic lower grill support.
See image below.



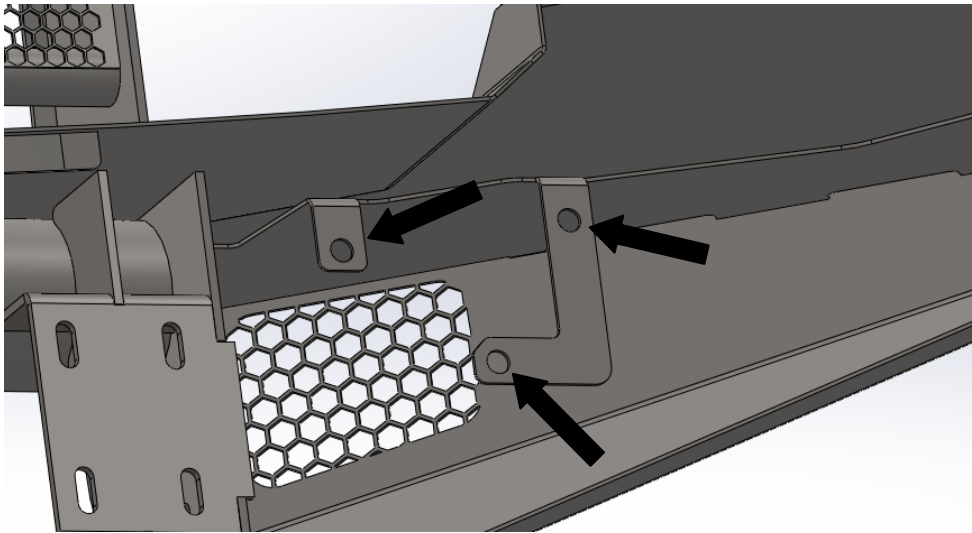
7. Remove the 4 10mm bolts holding the grill into place, and remove the grill.



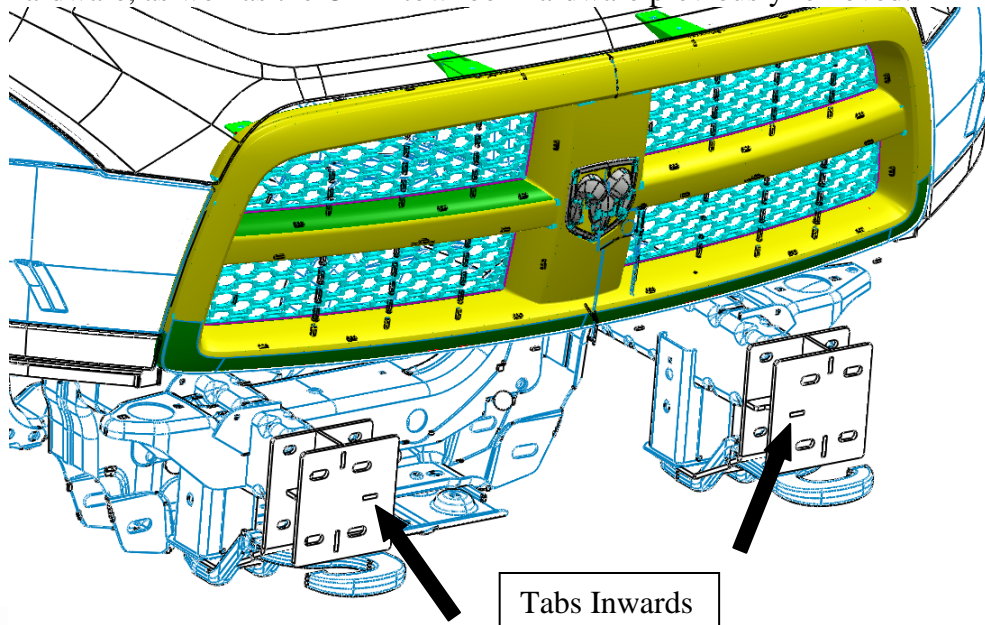
8. Remove the plastic support under the headlights using a 10mm socket.
9. Remove the center plastic support from the bottom of the OEM grill.
10. Re-install the OEM grill.
11. Remove the OEM tow hooks. Do not lose the hardware!

III. Installation

1. If equipped, remove the fog light from the OEM bumper. Remove the adjuster screw and spring; save for reinstallation.
2. If equipped, reinstall the OEM fog light into the brackets in the Black Steel front bumper. Use the OEM adjuster screw and spring to set the position of the beam.



3. Install the Black Steel mounting brackets to the frame using provided 7/16" hardware, as well as the OEM towhook hardware previously removed.





Installation Instructions Black Steel/Elite Front Bumper

Product Number: K2460,K2461,K2462,R2460,R2461,R2462

Application: '09+ Ram 1500 Trucks

4. If you have the M1850 D-ring kit, it must be installed at the same time as the bumper:
 - a. Install the lower guard by in the bumper by inserting it between the uprights from the bottom of the bumper. Loosely secure it with one bolt per side
 - b. Insert the D-ring mounts into the pockets on either side of the lower guard, aligning the D-ring mounting holes to the bumper mounting holes.
5. With the assistance of a hoist or multiple assistants, lift the bumper and align the mounting slots on the bumper with those on the frame brackets. Fasten with the provided 1/2"- 13 x 2.0" bolts, washers, and nuts. Do not full tighten at this time.
 - a. If installing the bumper with the M1850 D-Ring kit, remove the one fastener per side holding the lower guard, allowing it to rest on the top of the D-Rings. This will greatly improve access to the top outside fastener location.
6. Adjust the side to side alignment, and the level of the bumper in relation to the front clip of the truck.
7. Fully tighten all bumper and frame fasteners.
8. Install the lower guard with the supplied hardware. Fully tighten the fasteners.
9. If equipped, reconnect the fog light wiring harness and check fog light aim.
- 10.

IV. Maintenance/Care

- Periodically check and tighten all nuts.
- Stripped, fractured, or bent bolts or nuts need to be replaced.





Installation Instructions Black Steel/Elite Front Bumper

Product Number: K2460,K2461,K2462,R2460,R2461,R2462

Application: '09+ Ram 1500 Trucks

V. Contact Information

Fab Fours Inc.
1312 Camp Creek Rd.
Lancaster, SC 29720

Phone (866)-385-1905
Fax (866)-574-1424
Email Support@fabfours.com



More than expected... Better than expected

