



# Installation Instructions

## Jeep JK Lifestyle Front Bumper

Product Number: B1850-B1851  
Application: '07-Current Jeep Wrangler JK

### SAFETY

**Your safety and the safety of others is very important.**

- In order to help you make informed decisions about safety, we have provided installation instructions and other information.
- These instructions alert you to potential hazards that could hurt you or others.
- Please do a job safety analysis (JSA) before each task to identify potential hazards for your situation and remove/protect against them.
- You must use your own good judgment, and take your time.

**Read and understand all safety precautions and instructions before installing this product.**

THIS PRODUCT IS FOR OFFROAD USE ONLY. ALL LIABILITY FOR INSTALLATION AND USE RESTS WITH THE OWNER.

**CARELESS INSTALLATION AND OPERATION CAN RESULT IN SERIOUS INJURY OR EQUIPMENT DAMAGE.**

### Injury hazard

**Failure to observe these instructions could lead to severe injury or death.**

- Always** remove jewelry and wear eye protection.
- Always** use extreme caution when jacking up a vehicle for work. Set emergency brake and use tire blocks. Locate and use the vehicle manufacturers designated lifting points. Use jack stands.
- Always** use appropriate and adequate care in lifting components into place.
- Always** insure components will remain secure during installation and operation.
- Always** wear safety glasses when installing this kit. A drilling operation will cause flying metal chips. Flying chips can cause serious eye injury.
- Always** use extreme caution when drilling on a vehicle. Thoroughly inspect the area to be drilled (on both sides of material) prior to drilling, and relocate any objects that may be damaged.
- Always** use extreme caution when cutting and trimming during fitting.
- Always** tighten all nuts and bolts securely per installation instructions.
- Always** route electrical cables carefully. Avoid moving parts, components that become hot and rough or sharp edges.
- Always** insulate and protect all exposed wiring and electrical terminals.
- Always** perform regular inspections and maintenance on mounts and related hardware.



# Installation Instructions Jeep JK Lifestyle Front Bumper

Product Number: B1850-B1851

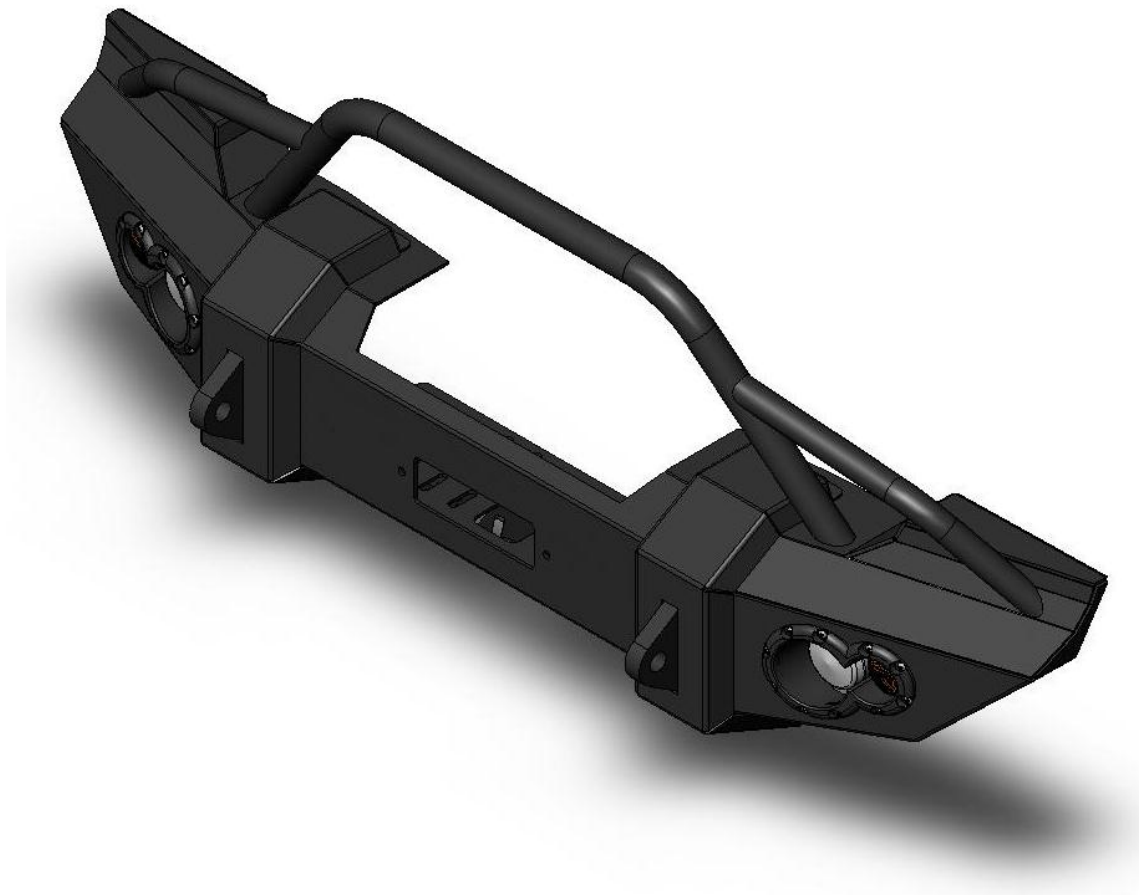
Application: '07-Current Jeep Wrangler JK

## I. Overview

Congratulations on your new purchase of the industries' best and most stylish Jeep JK Front Winch Bumper! This bumper has been **engineered** for strength while keeping the weight down.

Your bumper was designed, CNC laser cut, fabricated, and powder coated... all in the U.S.A.

Enjoy the fit and finish of a quality JK Front Winch Bumper from Fab Fours Inc!





# Installation Instructions Jeep JK Lifestyle Front Bumper

Product Number: B1850-B1851

Application: '07-Current Jeep Wrangler JK

## II. Tools Required

- Flat Head Screwdriver
- Phillips Screwdriver
- Socket Wrench With Extension
- 18mm Socket
- 19mm Socket
- 7/16" Open End Wrench
- 5/32" Allen Wrench

## III. Vehicle Preparation

- A) Remove (4) dart clips from underside of OEM bumper/skid plate.
- B) Remove (2) dart clips from back side of plastic skid plate.
- C) Disconnect fog light harness from back of each fog lamp (if applicable).
- D) Remove (8) nuts from bumper studs using 18mm socket.



Figure 1: Back side of bumper

- E) Slide bumper forward slightly so that the studs still pass through frame but the bumper rocks forward. Remove fog harness retainer clips from bumper.



# Installation Instructions Jeep JK Lifestyle Front Bumper

Product Number: B1850-B1851

Application: '07-Current Jeep Wrangler JK

- ❑ F) Remove OEM bumper and set aside.



Figure 2

- ❑ G) Remove two dart clips from top bumper trim plastic using Phillips screwdriver. Set trim aside as it will not be re-used.



Figure 3



# Installation Instructions Jeep JK Lifestyle Front Bumper

Product Number: B1850-B1851

Application: '07-Current Jeep Wrangler JK

## IV. Bumper Preparation

1. Install turn signal into light pockets using self-tapping screws as shown below.

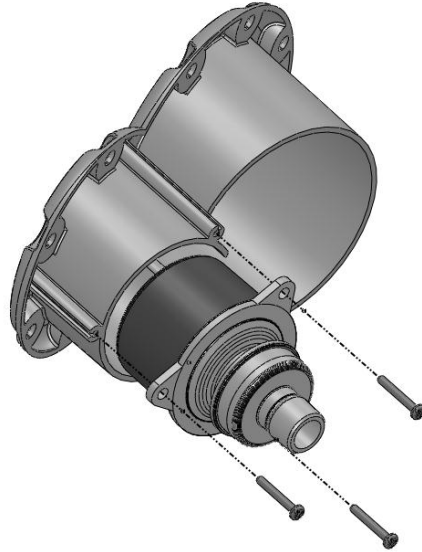


Figure 4

2. Install fog lamp into brackets as shown using #8-32 bolts and nuts.

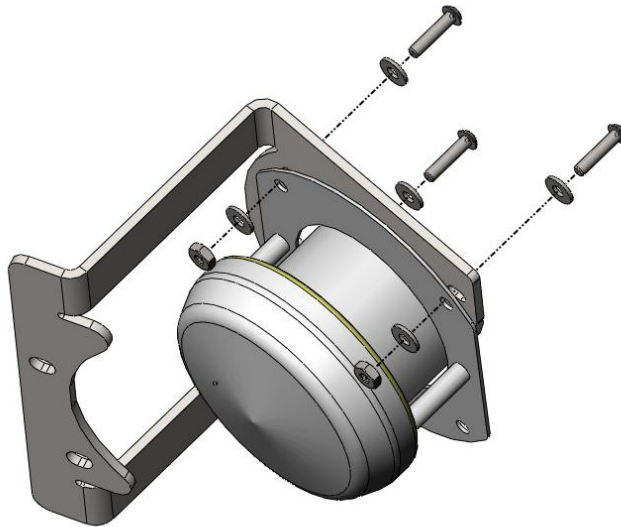


Figure 5



# Installation Instructions Jeep JK Lifestyle Front Bumper

Product Number: B1850-B1851

Application: '07-Current Jeep Wrangler JK

3. Install the light inserts with turn indicators into the cutout in the bumper. Use the 1/4" stainless steel button head, 1/4" washers and hex nuts to fasten the insert through the holes shown below:

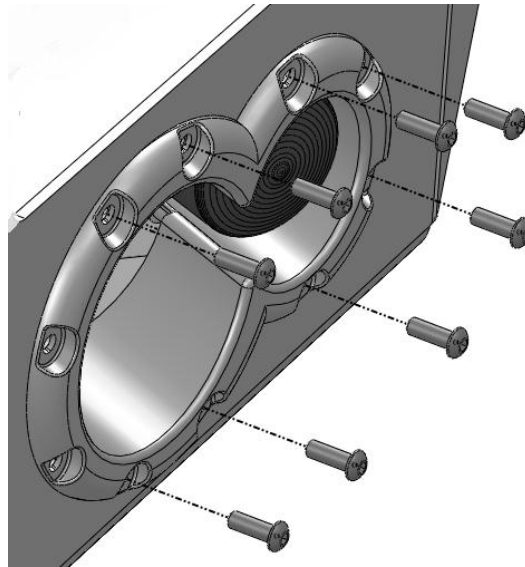


Figure 6

4. Install the fog light and bracket into the bumper using the remaining two holes available in the light insert.

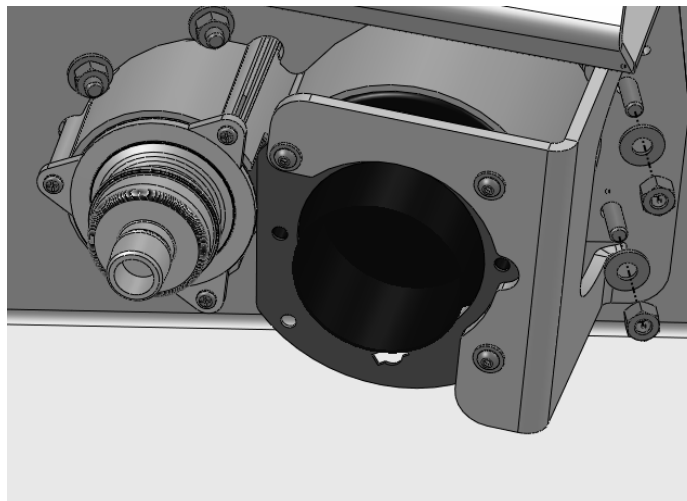


Figure 7





## Installation Instructions Jeep JK Lifestyle Front Bumper

Product Number: B1850-B1851

Application: '07-Current Jeep Wrangler JK

5. Attach harnesses to fog lamps – see wiring section for details.
6. Install trim caps as shown using 3/8" stainless steel hardware.

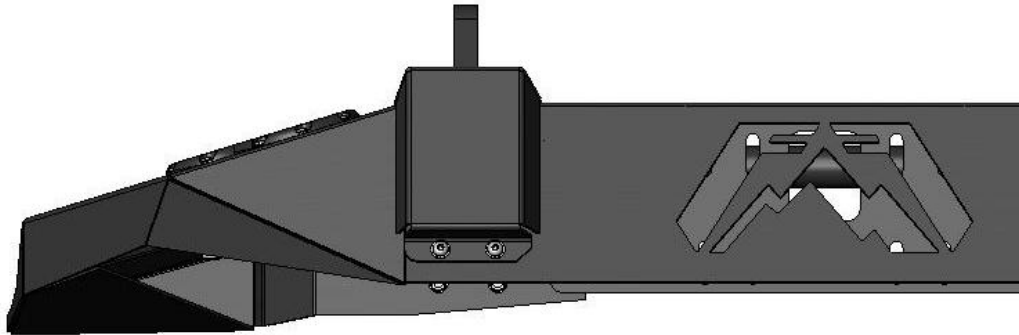


Figure 8

### V. Bumper Installation

- A) Lift bumper and align mounting studs with holes in frame face plate.
- B) Secure loosely with (8 each) 10mm flat washer, lock washer and nut. Do not tighten fully.
- C) Because of the mounting system, little adjustment is necessary. Verify proper alignment and tighten all fasteners.
- D) If installing winch, do so now. Follow instructions provided with winch. Remember to install fairlead onto front of bumper.



# Installation Instructions Jeep JK Lifestyle Front Bumper

Product Number: B1850-B1851

Application: '07-Current Jeep Wrangler JK

## VI. Lights and wiring installation

### Turn Indicator

- ❑ A) On each side, disconnect light connector and tap into the three turn indicator wires using supplied tap connectors (reference the wiring diagram).



Figure 9

- ❑ B) Connect supplied turn indicator wiring harnesses to tap connectors following wiring diagram; repeat for other side.
- ❑ C) After turn indicator harnesses are attached to turn indicators, fill the indicator plug with RTV or other silicone sealant to ensure moisture does not enter plug.





# Installation Instructions

## Jeep JK Lifestyle Front Bumper

Product Number: B1850-B1851

Application: '07-Current Jeep Wrangler JK

### Headlight

- D1) Optional:** Install Hella® light harness per installation instructions provided.
- D2)** Tap into OEM headlight wires (low beam) at the headlight connector following wiring diagram - use two supplied tap connectors. Repeat for other side.
- E)** Connect supplied fog lamp wiring harness to tap connectors following wiring diagram. Repeat for other side.



# Installation Instructions Jeep JK Lifestyle Front Bumper

Product Number: B1850-B1851

Application: '07-Current Jeep Wrangler JK

## VII. Wiring Diagram

Note: Colors May Vary

### Passenger Side Turn Indicator at Headlight

OEM (Running) – Minor – White/Tan → White Fab Fours

OEM (Turn) – Major - White/Tan → Red Fab Fours

OEM (Ground) Blk → Green Fab Fours

### Driver Side Turn Indicator at Headlight

OEM (Running) – Minor – White/Light Green → White Fab Fours

OEM (Turn) – Major – White/Light Green → Red Fab Fours

OEM (Ground) White/Blk → Green Fab Fours

### Driver Fog Lamp

OEM (Power) Red/Yellow → Red Fab Fours

OEM (Ground) Blue → Green Fab Fours

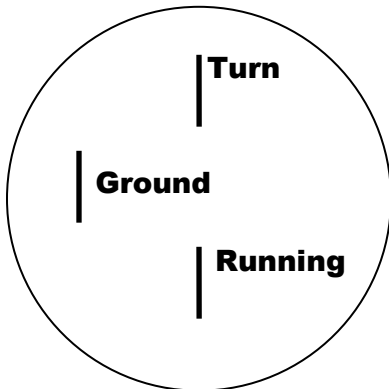
### Passenger Fog Lamp

OEM (Power) Blue/Red → Red Fab Fours

OEM (Ground) Red/Wht → Green Fab Fours

**Note: Tap into Fab Fours driver side fog lamp harness to supply passenger side**

### **Hella Turn Indicator Connectors**





## Installation Instructions Jeep JK Lifestyle Front Bumper

Product Number: B1850-B1851

Application: '07-Current Jeep Wrangler JK

### **VIII. Maintenance/Care**

- Periodically check and tighten all fasteners.
- Stripped, fractured, or bent bolts or nuts need to be replaced.

### **IX. Contact Information**

Fab Fours Inc.  
1312 Camp Creek Rd.  
Lancaster, SC 29720

Phone (866)-385-1905  
Fax (866)-574-1424  
Email [Support@fabfours.com](mailto:Support@fabfours.com)



**More than expected... Better than expected**