



# Installation Instructions

## Jeep JK Hardcore Front Bumper

Product Number: B1853-B1854  
Application: '07-Current Jeep Wrangler JK

## SAFETY

### Your safety and the safety of others is very important.

- In order to help you make informed decisions about safety, we have provided installation instructions and other information.
- These instructions alert you to potential hazards that could hurt you or others.
- Please do a job safety analysis (JSA) before each task to identify potential hazards for your situation and remove/protect against them.
- You must use your own good judgment, and take your time.

**Read and understand all safety precautions and instructions before installing this product.**

THIS PRODUCT IS FOR OFFROAD USE ONLY. ALL LIABILITY FOR INSTALLATION AND USE RESTS WITH THE OWNER.

**CARELESS INSTALLATION AND OPERATION CAN RESULT IN SERIOUS INJURY OR EQUIPMENT DAMAGE.**

## Injury hazard

### Failure to observe these instructions could lead to severe injury or death.

- Always** remove jewelry and wear eye protection.
- Always** use extreme caution when jacking up a vehicle for work. Set emergency brake and use tire blocks. Locate and use the vehicle manufacturers designated lifting points. Use jack stands.
- Always** use appropriate and adequate care in lifting components into place.
- Always** insure components will remain secure during installation and operation.
- Always** wear safety glasses when installing this kit. A drilling operation will cause flying metal chips. Flying chips can cause serious eye injury.
- Always** use extreme caution when drilling on a vehicle. Thoroughly inspect the area to be drilled (on both sides of material) prior to drilling, and relocate any objects that may be damaged.
- Always** use extreme caution when cutting and trimming during fitting.
- Always** tighten all nuts and bolts securely per installation instructions.
- Always** route electrical cables carefully. Avoid moving parts, components that become hot and rough or sharp edges.
- Always** insulate and protect all exposed wiring and electrical terminals.
- Always** perform regular inspections and maintenance on mounts and related hardware.



# Installation Instructions Jeep JK Hardcore Front Bumper

Product Number: B1853-B1854

Application: '07-Current Jeep Wrangler JK

## I. Overview

Congratulations on your new purchase of the industries' best high clearance Jeep JK front bumper! This bumper has been **engineered** for strength while keeping the weight down.

Your bumper was designed, CNC laser cut, fabricated, and powder coated... all in the U.S.A.

Enjoy the fit and finish of a quality JK front bumper from Fab Fours Inc!





# Installation Instructions

## Jeep JK Hardcore Front Bumper

Product Number: B1853-B1854

Application: '07-Current Jeep Wrangler JK

### II. Tools Required

- Flat Head Screwdriver
- Phillips Screwdriver
- Socket Wrench With Extension
- 18mm Socket
- 19mm Socket
- 7/16" Open End Wrench
- 5/32" Allen Wrench

### III. Vehicle Preparation

- Remove (4) dart clips from underside of OEM bumper/skid plate.
- Remove (2) dart clips from back side of plastic skid plate.
- Disconnect fog light harness from back of each fog lamp (if applicable).
- Remove (8) nuts from bumper studs using 18mm socket.



Figure 1

- Slide bumper forward slightly so that the studs still pass through frame but the bumper rocks forward. Remove fog harness retainer clips from bumper.



## Installation Instructions Jeep JK Hardcore Front Bumper

Product Number: B1853-B1854

Application: '07-Current Jeep Wrangler JK

- ❑ F) Remove OEM bumper and set aside.



Figure 2

- ❑ Remove two dart clips from top bumper trim plastic using Phillips screwdriver. Set trim aside as it will not be re-used.

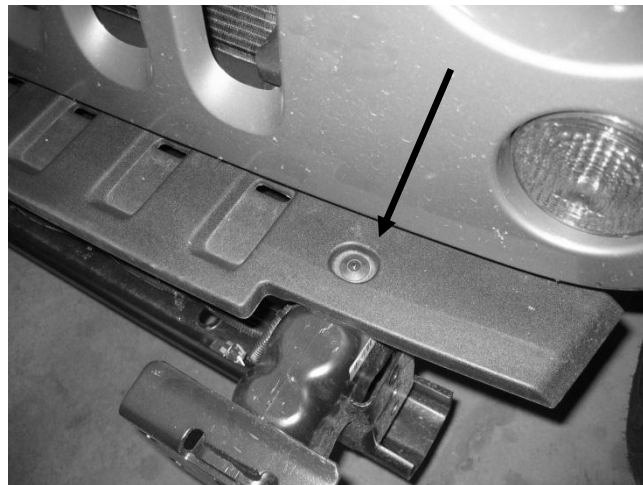


Figure 3

- ❑ If equipped, remove the OEM fog lights from the OEM bumper for reinstallation in the Fab Fours bumper.



## Installation Instructions Jeep JK Hardcore Front Bumper

Product Number: B1853-B1854

Application: '07-Current Jeep Wrangler JK

### IV. Bumper Preparation

- ❑ If your vehicle was equipped with OEM fog lights, use the provided thread forming screws to reinstall them in the light pockets in the Fab Fours bumper as shown below:

Note: If your vehicle did not come with OEM fog lights, a kit to install Fab Fours HD fog lights is available from your distributor. Reference Fab Fours P/N - JKST-LA

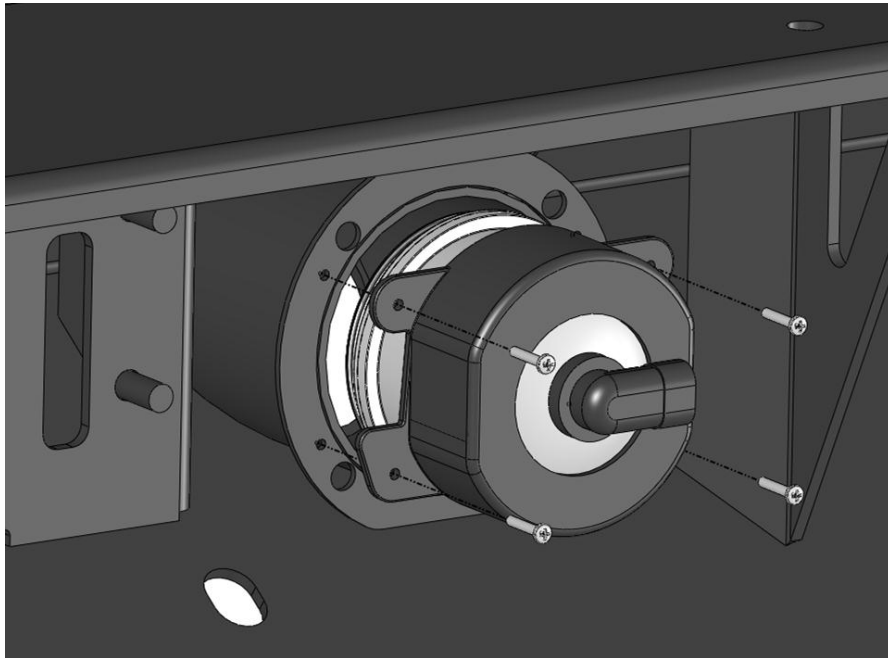


Figure 4

### V. Bumper Installation

- ❑ Lift bumper and align mounting studs with holes in frame face plate.
- ❑ Secure loosely with (8 each) 10mm flat washer, lock washer and nut. Do not tighten fully.



## Installation Instructions Jeep JK Hardcore Front Bumper

Product Number: B1853-B1854

Application: '07-Current Jeep Wrangler JK

- ❑ Because of the mounting system, little adjustment is necessary. Verify proper alignment and tighten all fasteners.

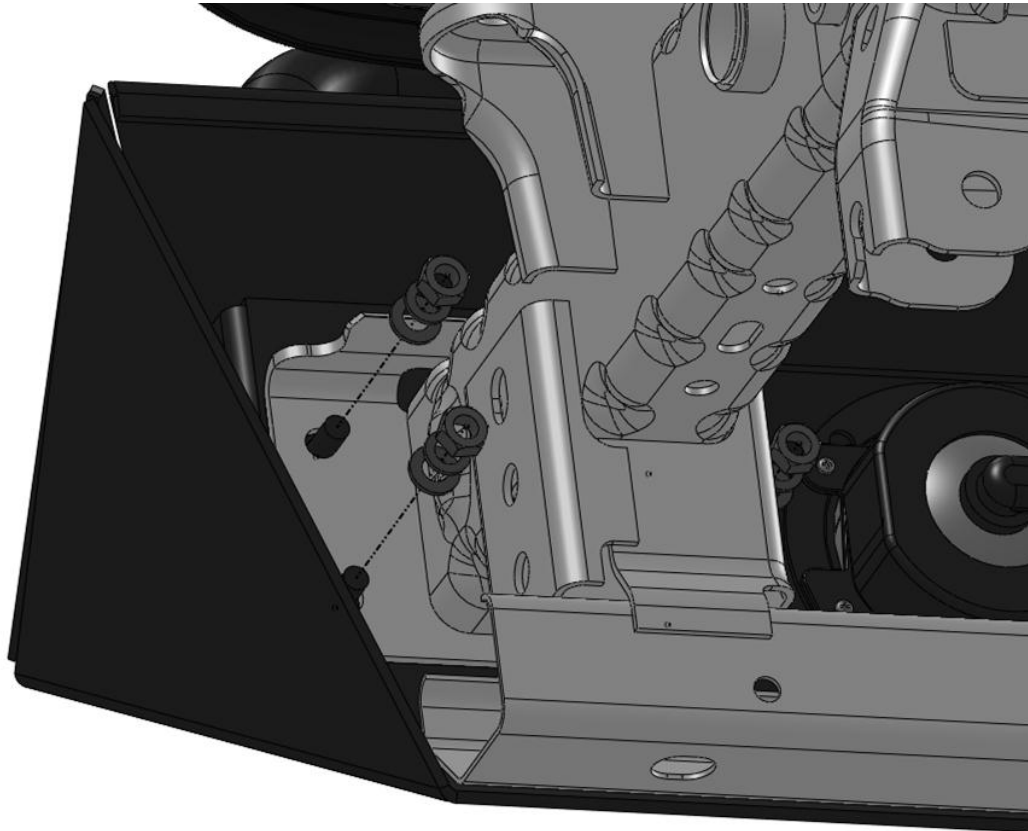


Figure 5

- ❑ If installing winch, do so now. Use the fairlead base plate to mount the fairlead to the bumper. Be sure to follow the instructions provided with winch.
- ❑ If equipped, reconnect the fog light wiring harness.



## Installation Instructions Jeep JK Hardcore Front Bumper

Product Number: B1853-B1854

Application: '07-Current Jeep Wrangler JK

### VI. Maintenance/Care

- Periodically check and tighten all fasteners.
- Stripped, fractured, or bent bolts or nuts need to be replaced.

### VII. Contact Information

Fab Fours Inc.  
1312 Camp Creek Rd.  
Lancaster, SC 29720

Phone (866)-385-1905  
Fax (866)-574-1424  
Email [Support@fabfours.com](mailto:Support@fabfours.com)



More than expected... Better than expected