



Installation Instructions

JK TUBE DOORS

Product Number: JK1031

2007-2018 Jeep JK

SAFETY

Your safety and the safety of others is very important.

- In order to help you make informed decisions about safety, we have provided installation instructions and other information.
- These instructions alert you to potential hazards that could hurt you or others.
- Please do a job safety analysis (JSA) before each task to identify potential hazards for your situation and remove/protect against them.
- You must use your own good judgment, and take your time.

Read and understand all safety precautions and instructions before installing this product.

THIS PRODUCT IS FOR OFFROAD USE ONLY. ALL LIABILITY FOR INSTALLATION AND USE RESTS WITH THE OWNER.

CARELESS INSTALLATION AND OPERATION CAN RESULT IN SERIOUS INJURY OR EQUIPMENT DAMAGE.

Injury hazard

Failure to observe these instructions could lead to severe injury or death.

- Always** remove jewelry and wear eye protection.
- Always** use appropriate and adequate care in lifting components into place.
- Always** insure components will remain secure during installation and operation.
- Always** wear safety glasses when installing this kit
- Always** use extreme caution when cutting and trimming during fitting.
- Always** tighten all nuts and bolts securely per installation instructions.
- Always** perform regular inspections and maintenance on mounts and related hardware.





Installation Instructions

JK TUBE DOORS

Product Number: JK1031

2007-2018 Jeep JK

Overview

Congratulations on your new purchase of the Fab Fours Tube Doors!

Your Tube Doors were designed in 3-D from digitized data, CNC laser cut, fabricated, and powder coated... all in the U.S.A. Enjoy the fit and finish of JK tube doors from Fab Fours, Inc.

WARNING: This product was designed to be used with the 07-15 Jeep Wrangler JK ONLY.

NOTICE: Some minor door striker plate adjustment maybe needed for proper door closure.





Installation Instructions

JK TUBE DOORS

Product Number: JK1031

2007-2018 Jeep JK

I. Tools Required

- 3/16" Allen Wrench
- Open End Wrench
- Torx socket
- Socket Set and Ratchets

II. Factory OEM Door Removal

1. Remove both OEM door locking nuts using a 45 torx driver



2. Remove the door restraining strap webbing by separating the nylon loop from the metal hook.





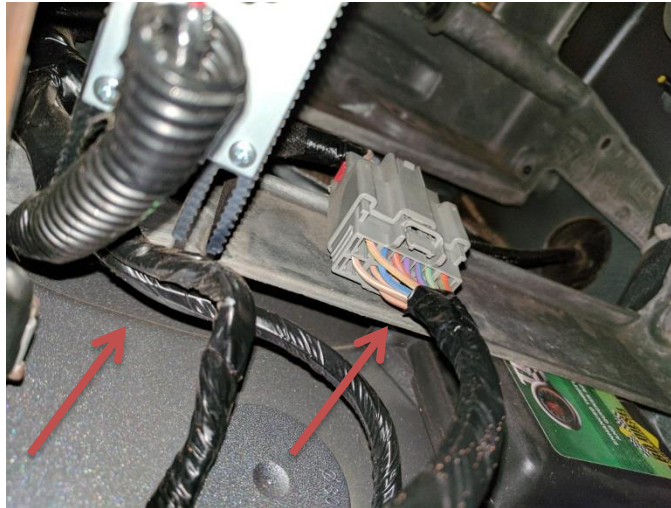
Installation Instructions

JK TUBE DOORS

Product Number: JK1031

2007-2018 Jeep JK

3. Disconnect the door power window and lock wiring harness if applicable.



4. With the assistance of a friend, open the door 45° and lift it off of the factory hinges.





Installation Instructions

JK TUBE DOORS

Product Number: JK1031

2007-2018 Jeep JK

III. Fab Four Tube Door Installation

1. Install and loosely tighten the hinges using the provided flat head bolts, washers, and nuts. Install and tighten mirror bracket on the doors using the provided button head bolts washers and nuts.





Installation Instructions

JK TUBE DOORS

Product Number: JK1031

2007-2018 Jeep JK

2. Install and fully tighten the latches using the included button head bolts, washers, and nuts.

Note: The latch orientation are opposite on the rear doors from the front doors and pictured below. Latches mount to the back of the door.





Installation Instructions

JK TUBE DOORS

Product Number: JK1031

2007-2018 Jeep JK

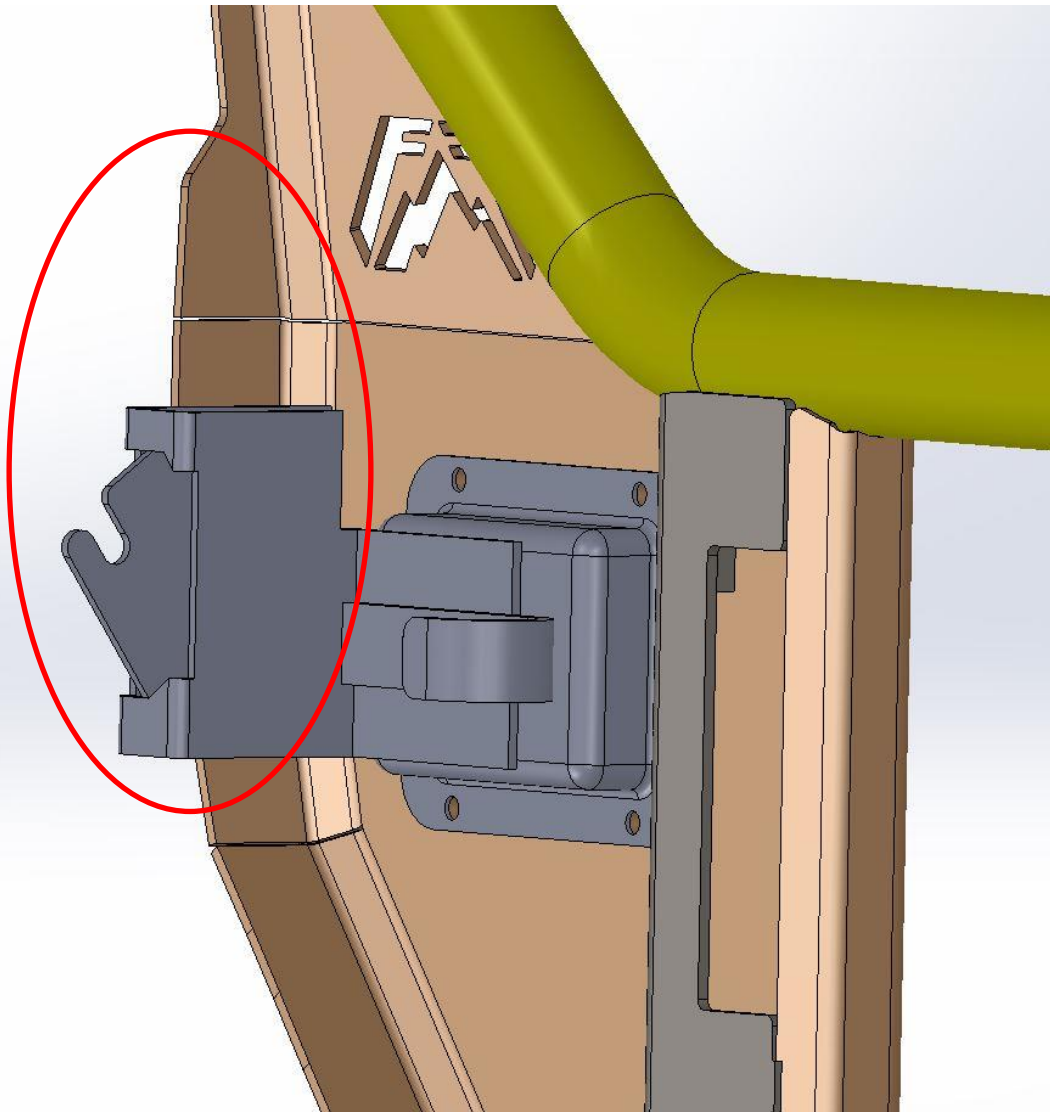


Figure1: rear door latch orientation





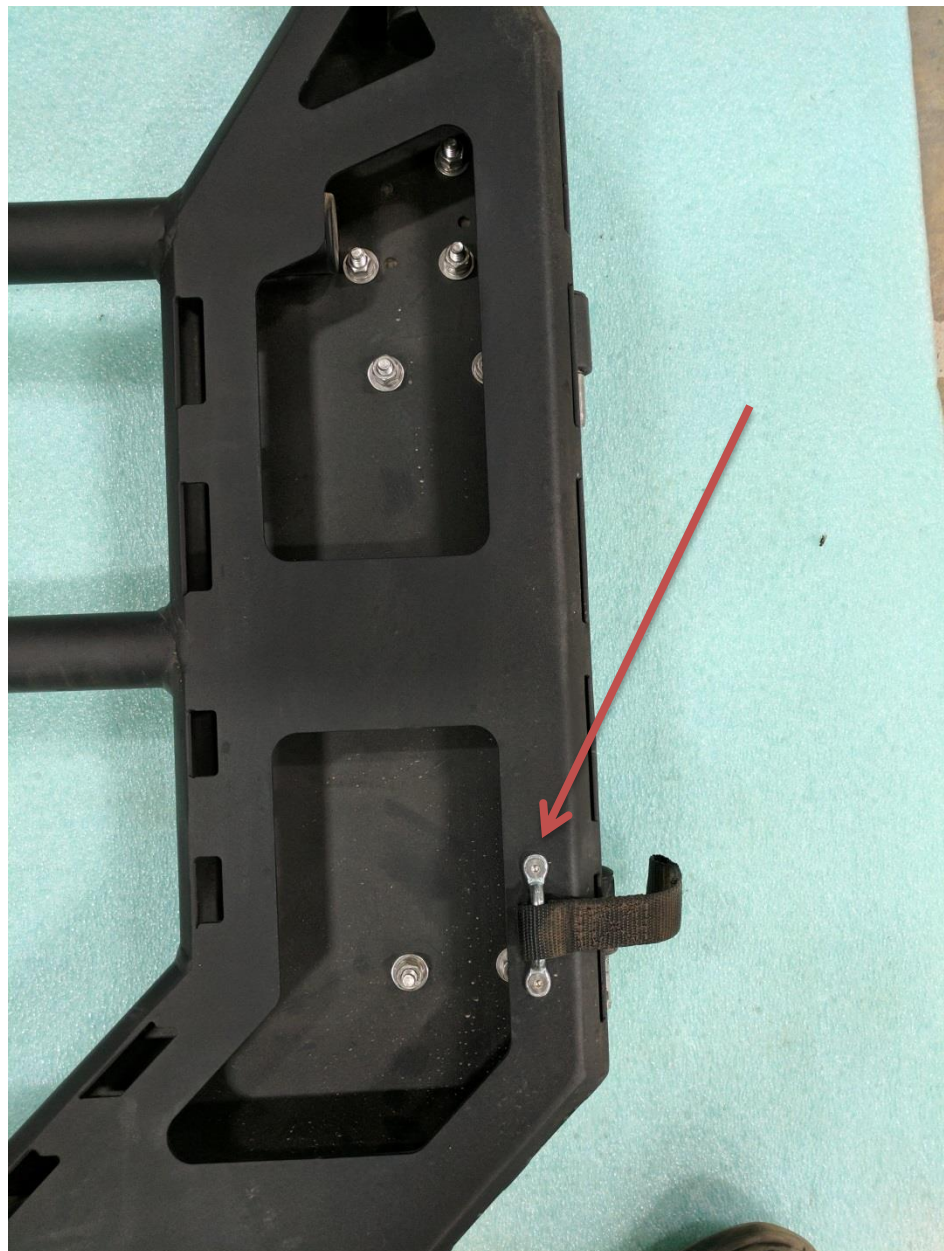
Installation Instructions

JK TUBE DOORS

Product Number: JK1031

2007-2018 Jeep JK

3. Install and fully tighten the limiting strap to inside of door using the provided flat head socket screws, washers and nuts.





Installation Instructions

JK TUBE DOORS

Product Number: JK1031

2007-2018 Jeep JK

4. Cut and install the rubber door seal to the inside edge of the door. Both front and rear seals measure 11 ½ inches.





Installation Instructions

JK TUBE DOORS

Product Number: JK1031

2007-2018 Jeep JK

5. Lift your new Fab Fours tube door onto the factory hinges and latch the door closed. Fully tighten all hardware.

Note: It's recommended that someone lift up on the rear of the closed door while tightening the hinge bolts to add preload to the assembly.





Installation Instructions

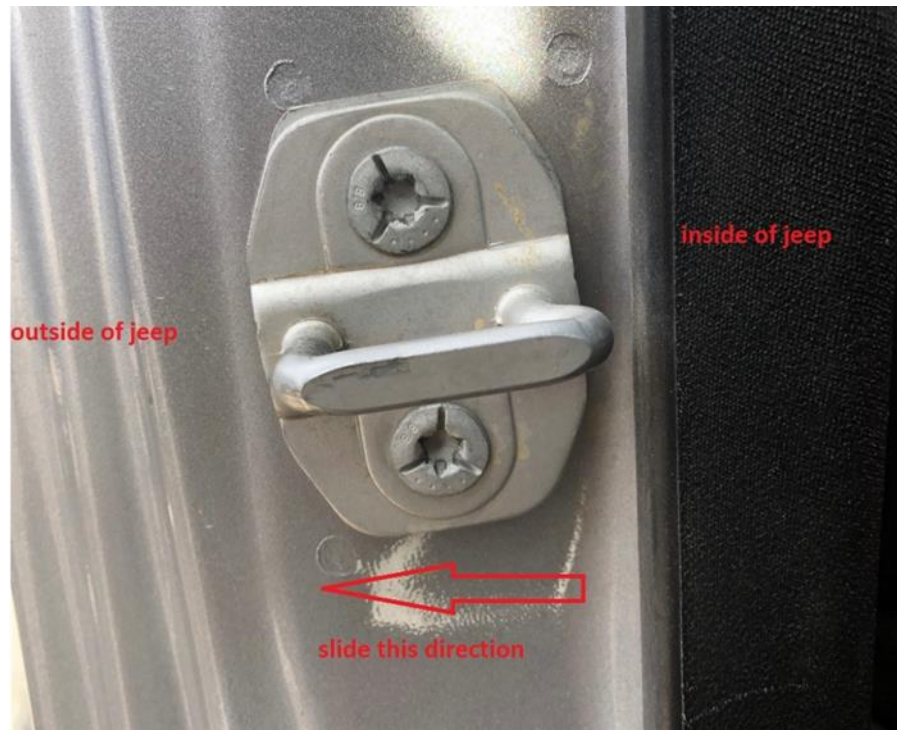
JK TUBE DOORS

Product Number: JK1031

2007-2018 Jeep JK

- Adjustments to the striker plates may be required. If needed, tool required for adjustment is included with OEM Jeep tool kit.

Note: Loosen two star screws and slide towards outside of the jeep so the latch on the tube door catches. This is not necessary to do if the door shuts with no issues.





Installation Instructions

JK TUBE DOORS

Product Number: JK1031

2007-2018 Jeep JK

IV. Maintenance/Care

- Periodically check and tighten all nuts.
- Stripped, fractured, or bent bolts or nuts need to be replaced.

V. Contact Information

Fab Fours Inc.
2213 Industrial Park Rd
Lancaster, SC 29720

Phone (866)-385-1905
Fax (970)-385-1914
Email Support@fabfours.com



More than expected... Better than expected.

