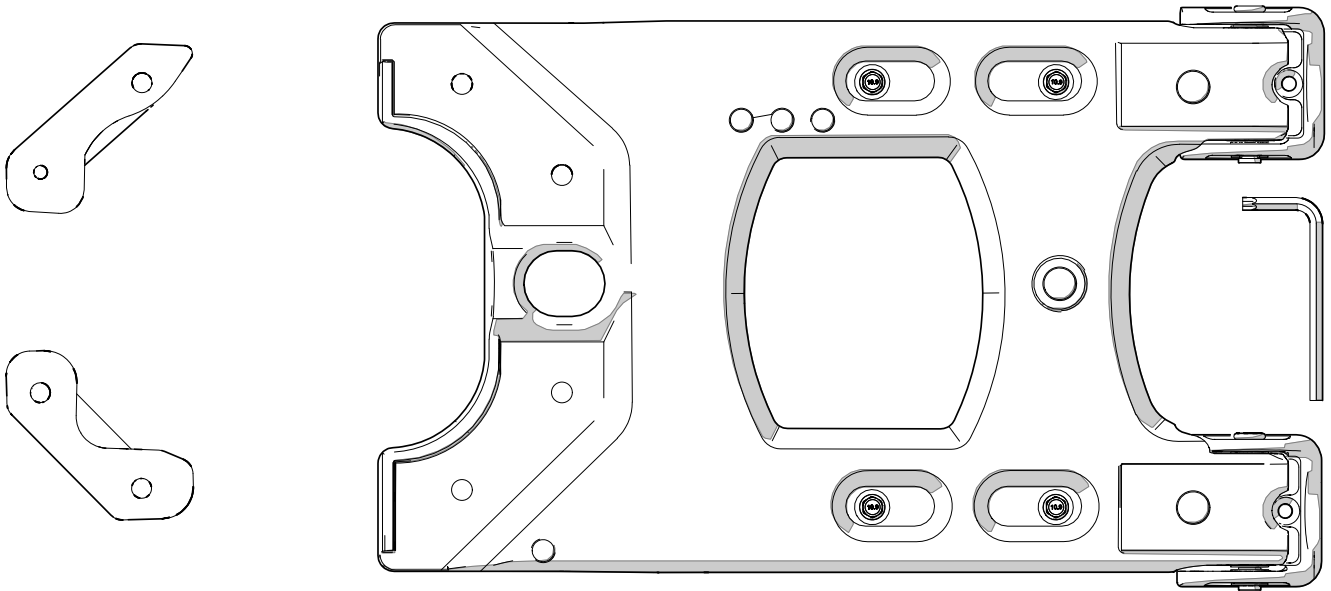




# JK HD HINGED CARRIER

www.TERAFLEX.com

#4838100



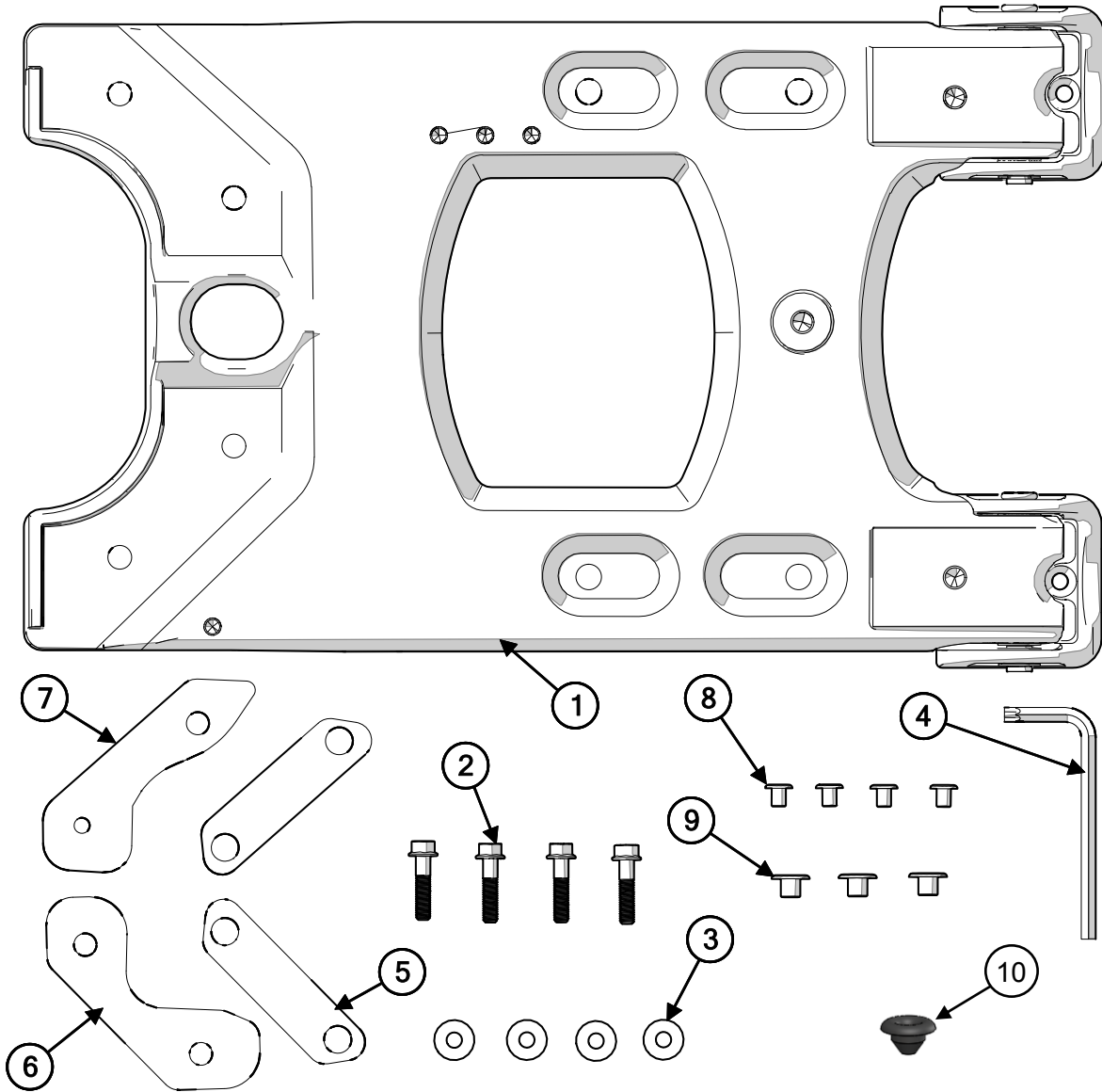
## Important Notes:

Prior to beginning this or any installation read these instructions to familiarize yourself with the required steps and evaluate if you are experienced and capable to personally perform these modifications. A factory service manual should be used in conjunction with these installation instructions.

Refer to the parts list to ensure that all necessary components and hardware has been included. If any parts are missing please contact your local Jeep dealership for assistance.

## Tools needed:

- Lug Wrench
- T50 Torx driver (included)
- T20 Torx driver
- 13 mm socket
- 12 mm socket
- Ratchet
- Blue thread locking compound
- Spacer that will fit between your Jeep's bumper and the bottom of the tail gate (soft material such as wood is recommended to avoid damaging the vehicle's paint)

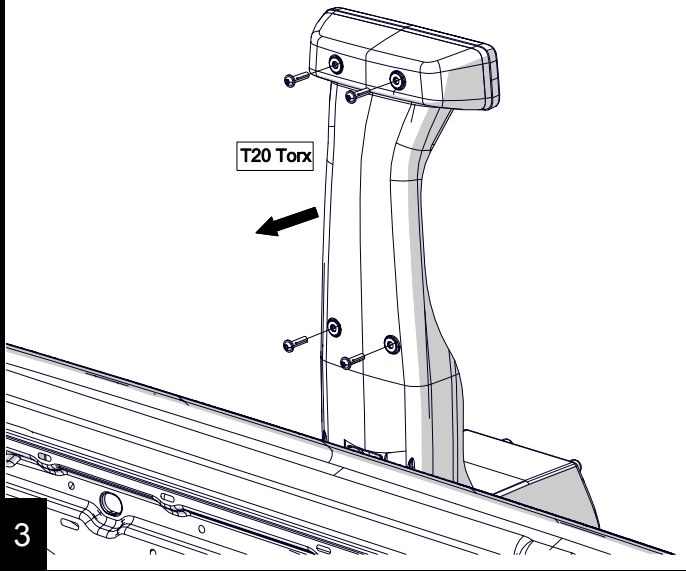


ID	Name	Part Number	Quantity
1	Aluminum Hinged Spare Tire Carrier	838075	1
2	Bolt M8 x 1.25 P x 35mm Long Flanged Hex Head	209	4
3	Washer 5/16" Flat	23	4
4	Torx T50 L-Key	387	1
5	Gasket for Tire Carrier Spacer Plates	610039	2
6	Spare Tire Carrier Lower Plate Spacer	838104	1
7	Spare Tire Carrier Upper Plate Spacer	838105	1
8	Hinged Tire Carrier 3/8"-16 Thread Rubber Plug	838109	4
9	Hinged Tire Carrier 1/2"-13 Thread Rubber Plug	838110	3
10	Hole Plug for Tire Carrier	4860222	1

**IMPORTANT:** Do not remove the factory tailgate hinges until instructed to do so. Precisely following these instructions will help avoid any tailgate adjustment and misalignment issues. Ensure the tailgate is closed tightly and do not open it during installation.

1

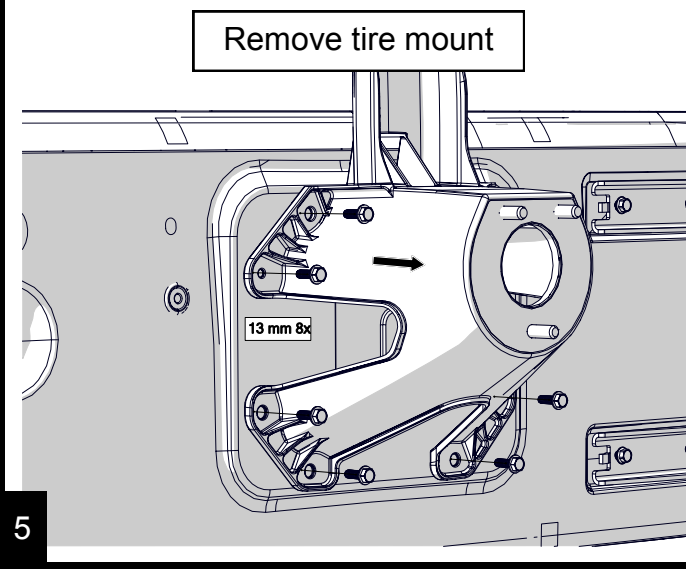
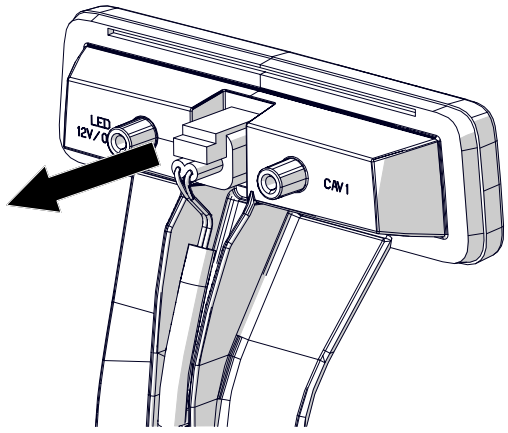
2



3

4

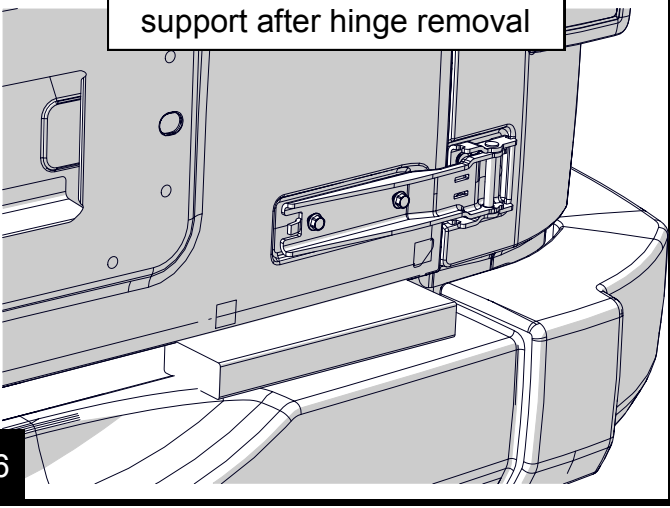
Unplug light connector



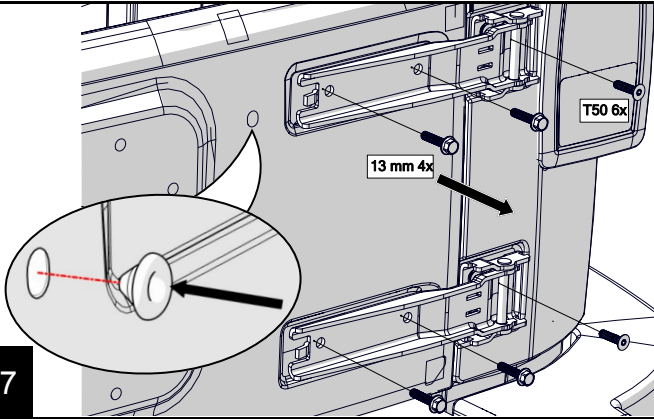
5

6

Place spacer under tailgate to support after hinge removal

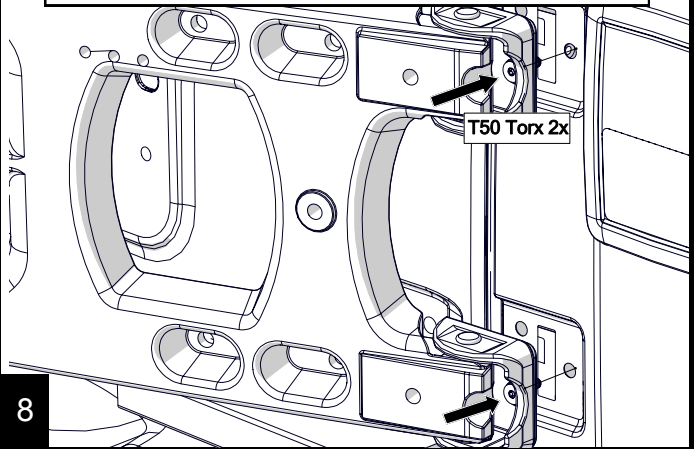


Replace passenger side production bumper with provided rubber plug.  
Remove hinges



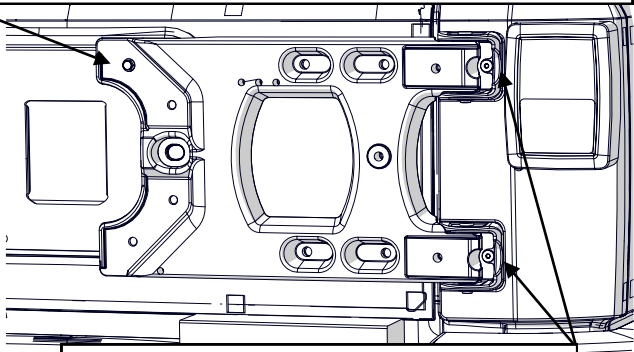
7

Apply thread locking compound, loosely seat original bolts into the hinges



8

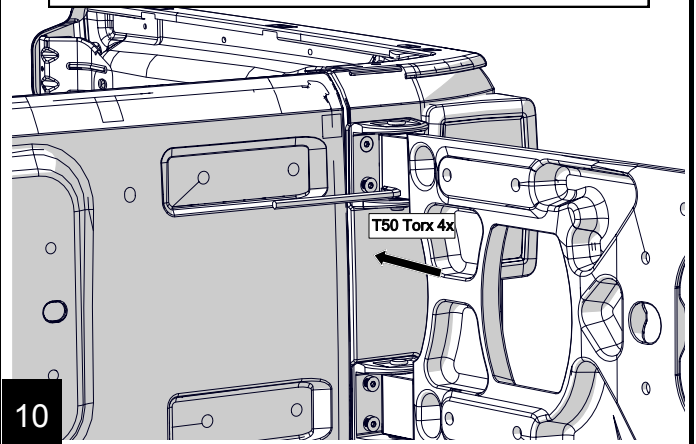
Install bolt to align cast hinge to tailgate.  
Visually inspect all bolt holes for alignment



9

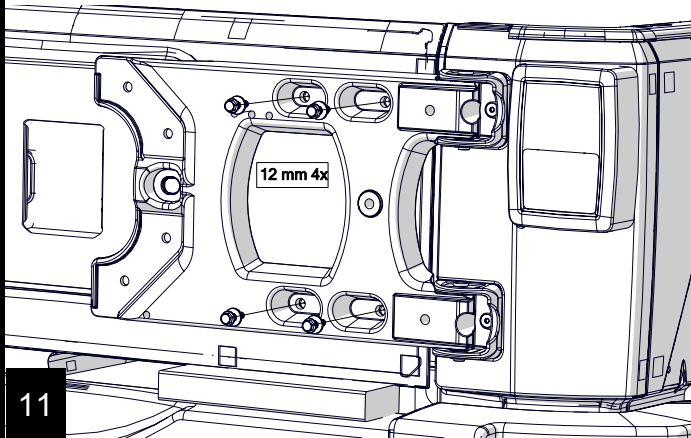
After alignment is complete, torque bolts to 26 N-m (19 ft-lbs)

Open hinge, apply thread locking compound, torque bolts to 26 N-m (19 ft-lbs)



10

Apply thread locking compound, install and torque included bolts to 20 N-m (15 ft-lbs)

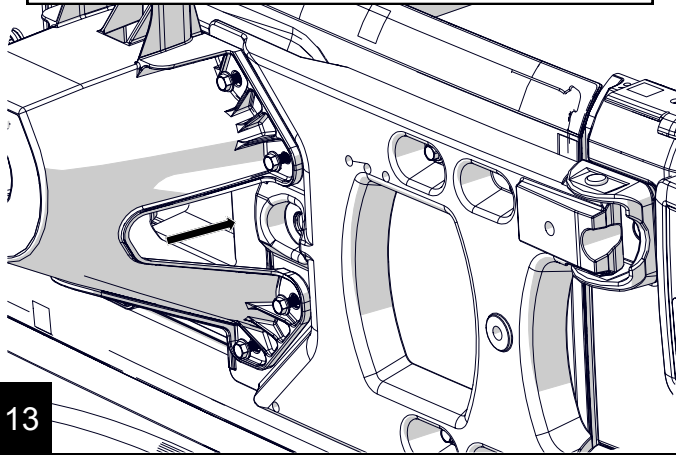


11

If installing the optional tire mount #77072345 in conjunction with cast hinge reinforcement kit, refer to instruction set K6862213 included with that kit. If reusing the factory tire mount, continue with step 14 in this instruction set.

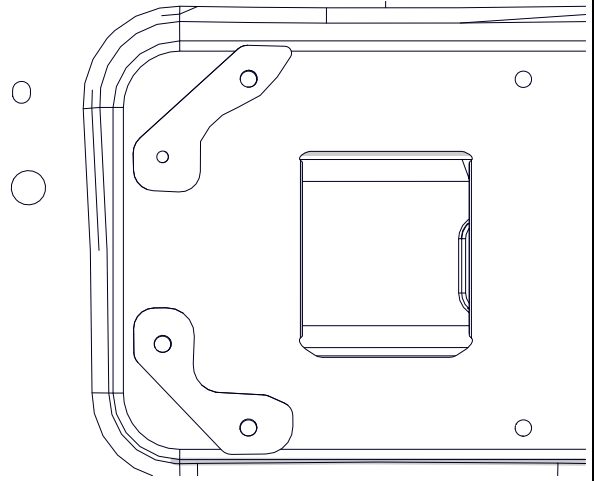
12

Reuse original hardware, apply thread locking compound and loosely install bolts



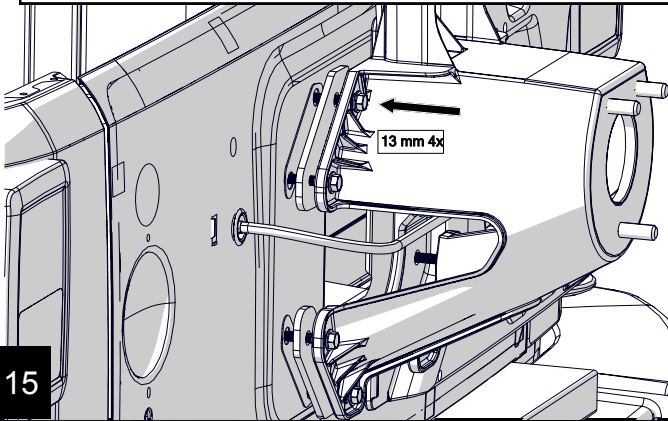
13

Orient spacers as illustrated



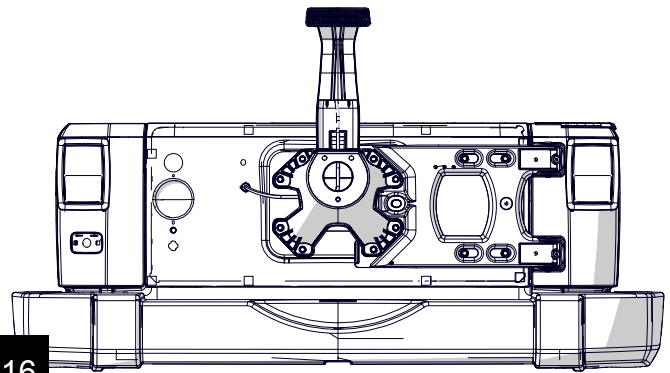
14

Note location of spacers, place gasket between spacer and tailgate. Apply thread locking compound and install bolts



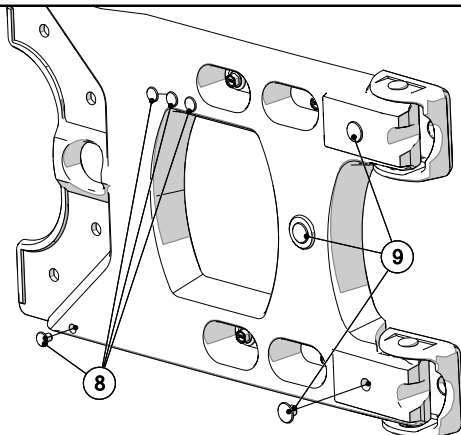
15

Torque 8 tire mount bolts to 20 N-m (15 ft-lbs)  
Remove support spacer under tailgate



16

Optional: Push in the 7 rubber plugs into the threaded holes as shown.



17

- Open and close tailgate to ensure proper function.
- Fold and place this instruction sheet in the vehicle glove box for future reference.
- For customer service questions, refer to your local Jeep dealership.

18