

FITTING INSTRUCTIONS

BP5160027L & BP5160027R

BP5160037L & BP5160037R

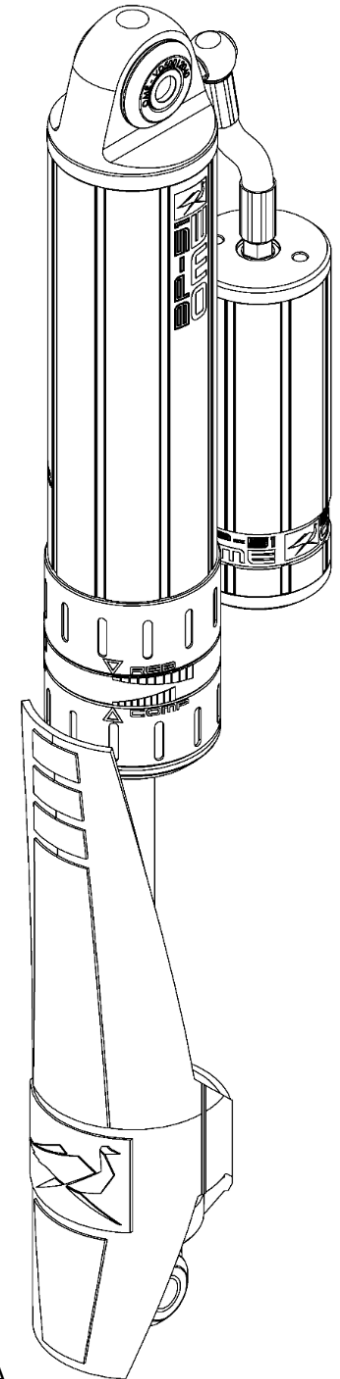
FORD RANGER PX ON REAR

MAZDA BT50 ON REAR

WARNING

- ◆ This product must be installed exactly as per these instructions using only the hardware supplied.
- ◆ In the event of damage to any suspension component, contact your nearest authorised ARB stockist. Repairs or modifications to the suspension system components must not be attempted.
- ◆ Do not use this product for any vehicle make or model, other than those specified by ARB.
- ◆ Do not remove labels from suspension components.
- ◆ This product or its fixing must not be modified in any way.
- ◆ The installation of this product may require the use of specialized tools and/or techniques
- ◆ It is recommended that this product is only installed by trained personnel
- ◆ These instructions are correct as at the publication date. ARB Corporation Ltd. cannot be held responsible for the impact of any changes subsequently made by the vehicle manufacturer
- ◆ During installation, it is the duty of the installer to check correct operation/clearances of all components
- ◆ Work safely at all times

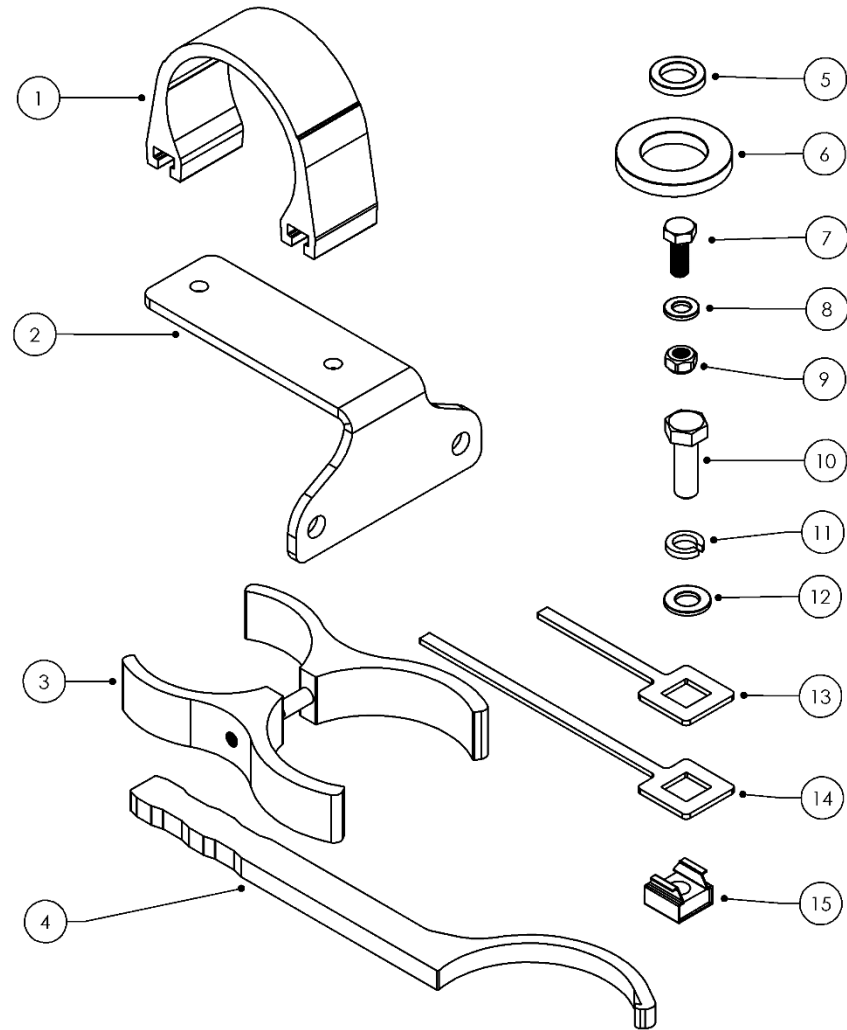
Note: These fitting instructions should be read in conjunction with the vehicle workshop manual.



RevA

FITTING KIT CONTENTS – VM80010012

Item	Description	Qty	Spare Part No.
1	RESI CLAMP	1	VE10010003SP
2	REAR RESI BRACKET	1	VE10020015SP
3	RESI CLAMP ASSEMBLY	2	VM20010001SP
4	ADJUSTER TOOL	1	VC10010071SP
5	SPACER WASHER 12X19X3	2	VE70020001SP
6	SPACER WASHER 23X40X5	2	VE70020009SP
7	M6 X 16MM BOLT	2	VD60030003SP
8	M6 WASHER	2	VE70020005SP
9	M6 NYLOCK NUT	2	VD60010003SP
10	M8 X 25MM BOLT	2	6151546SP
11	M8 SPRING WASHER	2	4581047SP
12	M8 WASHER	2	VE70020004SP
13	M8 CAGE NUT BRACKET	1	VE10040005SP
14	M8 CAGE NUT BRACKET	1	VE10040004SP
15	M8 CAGE NUT	2	6151303SP



DAMPER PREPARATION

Left and right setups are different.

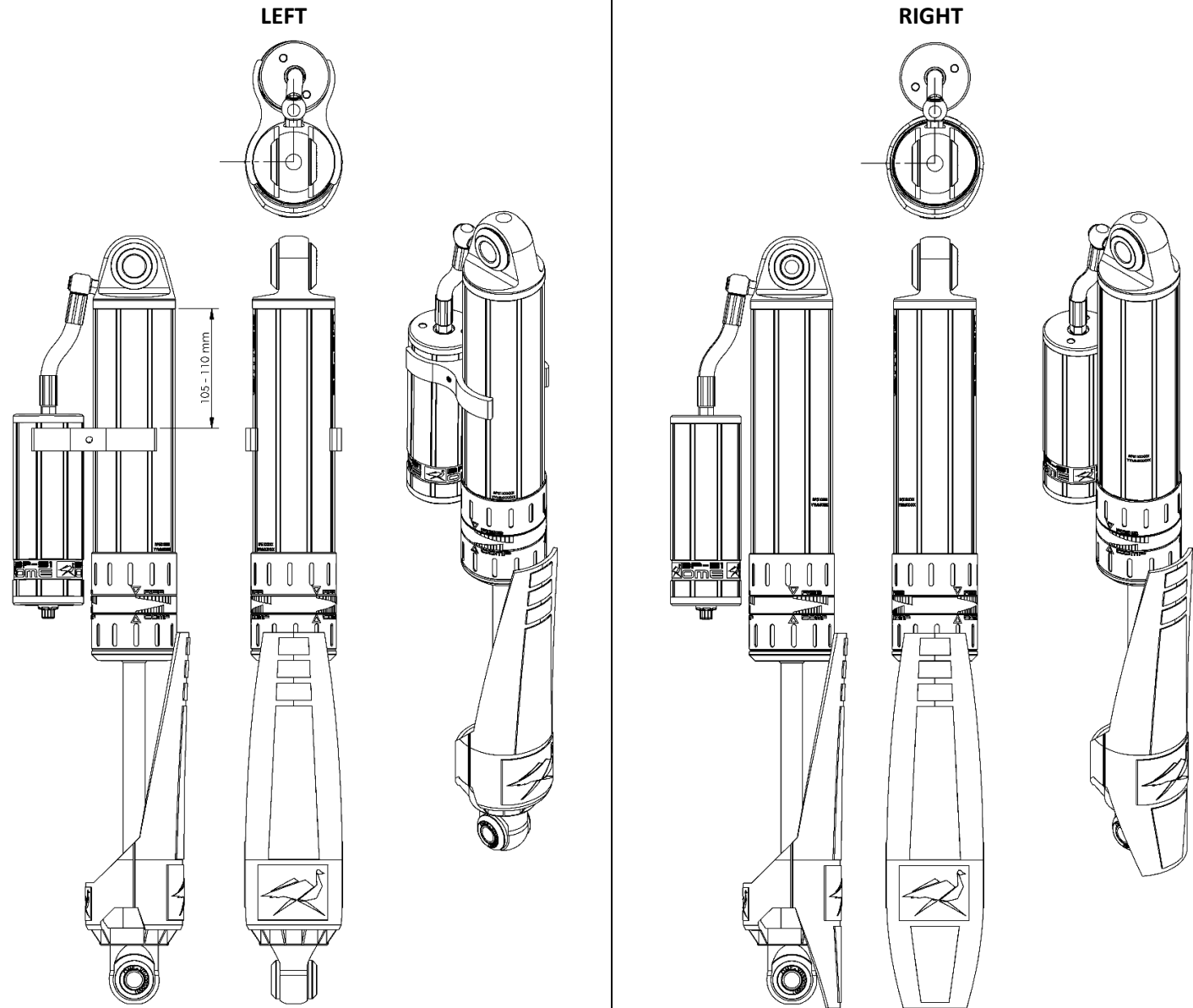
The left side has the shorter hose and is mounted behind the axle when installed on the vehicle.

The right hand side has the longer hose and stone guard and is mounted in front of the axle.

Before fitment, the reservoir needs to be clamped to the LH damper body.

Refer to diagrams for orientation.

Shaft guards are secured before the dampers are fitted to the vehicle as illustrated in the next page.



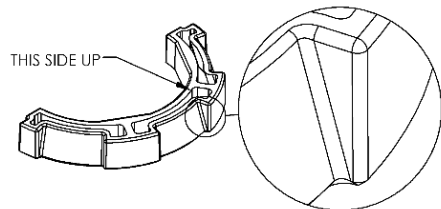
DAMPER PREPARATION CONTINUED... SECURING SHAFT GUARDS

The shaft guards are designed to protect the shaft from stones thrown from the front wheels and are mounted to the front side of the damper. The longer shaft guard is fitted to the RH damper that is mounted on the front of the axle. The shorter shaft guard is fitted to the LH damper.

It is easiest to secure the shaft guards before the dampers are fitted to the vehicle.

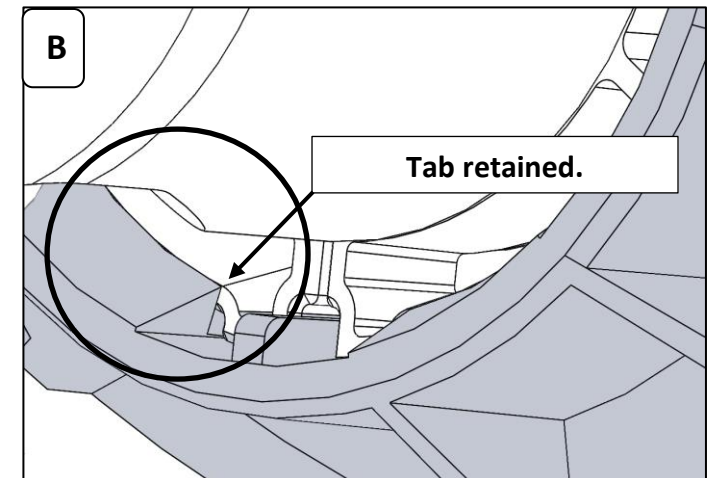
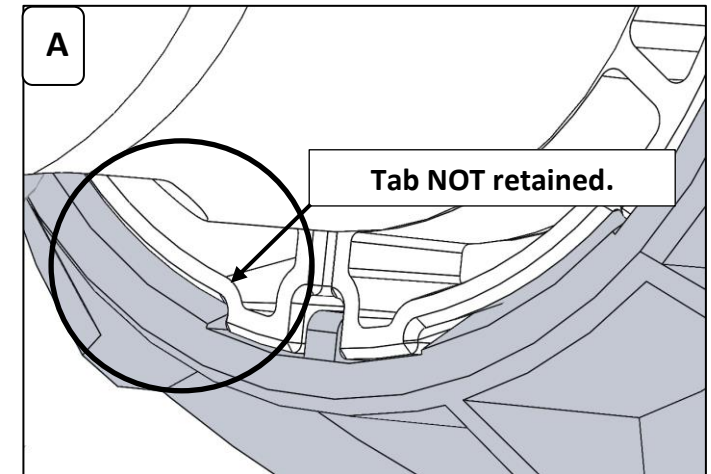
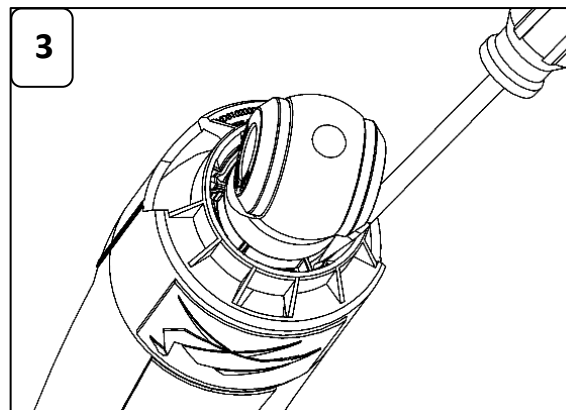
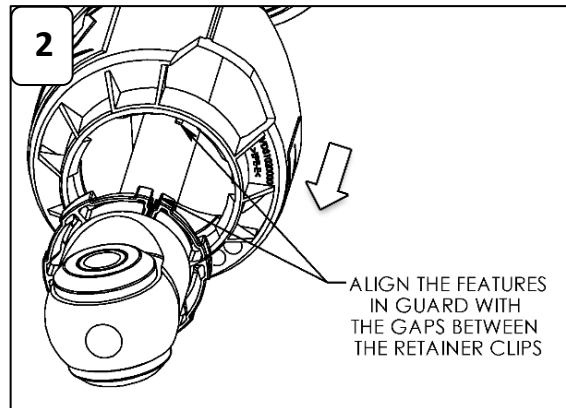
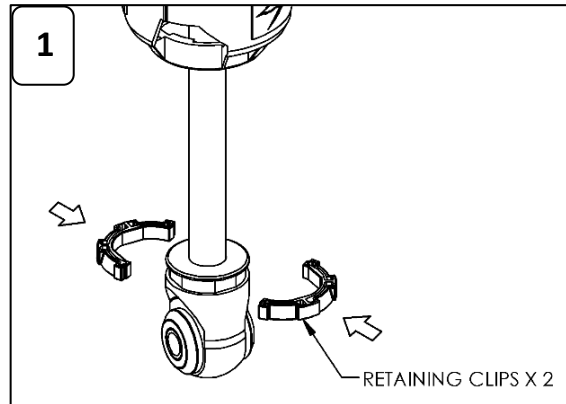
Please follow steps 1-3.

1. Fit the two retainers to the eyelet as shown. Note the orientation.



2. There are features on the shaft guard that locate in the gaps between the two retainers. Align the guard with these gaps and firmly pull the shaft guard down over the retainers to secure in place.

3. Check retainers are completely secured by guard. Use a flat blade screwdriver to poke retainers under tabs on guard if required. Refer to pictures (A) and (B) for correct fitment.
IMPORTANT: Ensure ALL tabs are fully retained.



IMPORTANT: Ensure ALL tabs are fully retained

MOUNTING SEQUENCE

Remove old dampers from vehicle.

The BP-51 needs to be fitted with the suspension in droop.

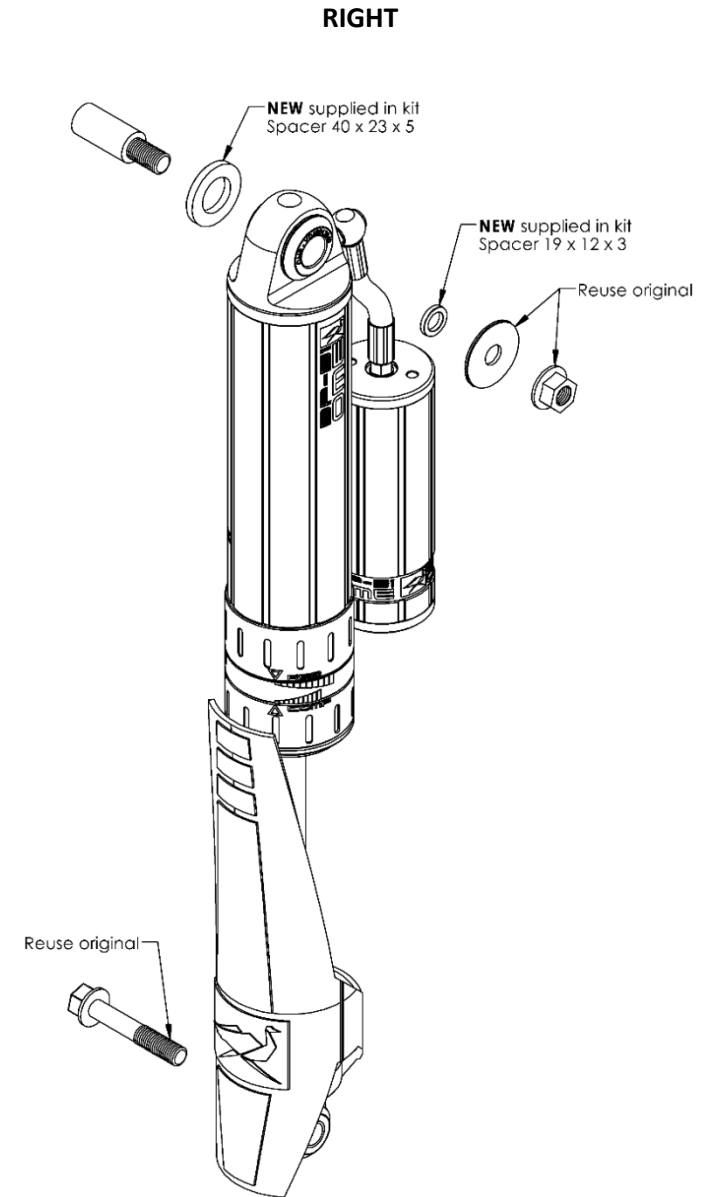
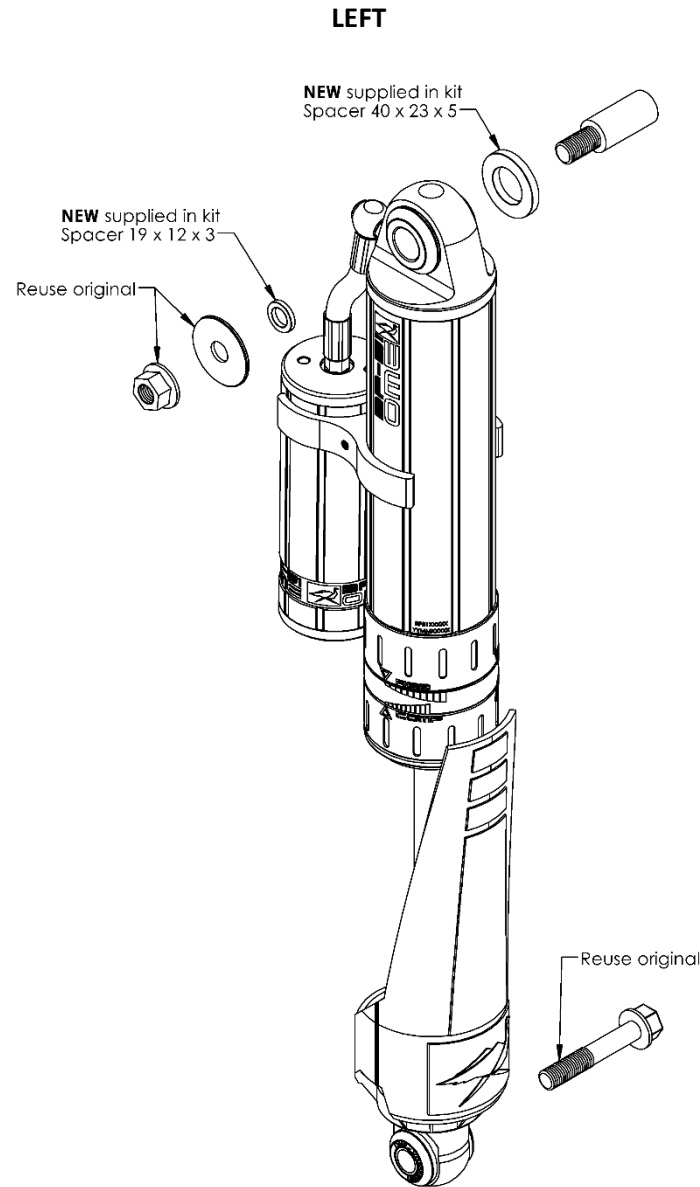
Mount the dampers using the hardware in the sequence as shown in the diagram.

Fit the top mount and droop the wheel to secure the bottom mount.

Ensure the hoses are clear of any obstructions and have no kinks.

NOTE: The clamp should never be fitted lower on the damper body than specified as it may obstruct the path of the stone guard at full compression.

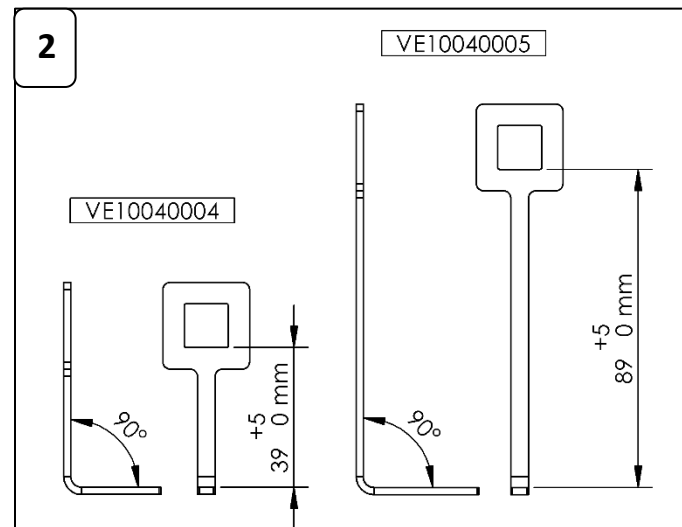
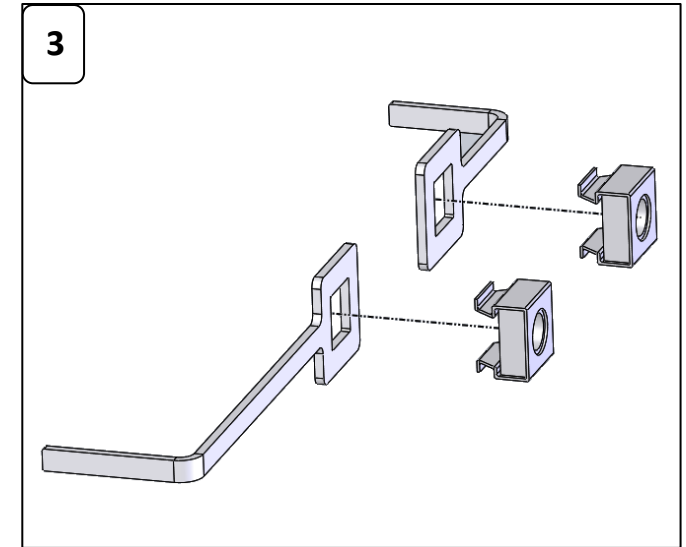
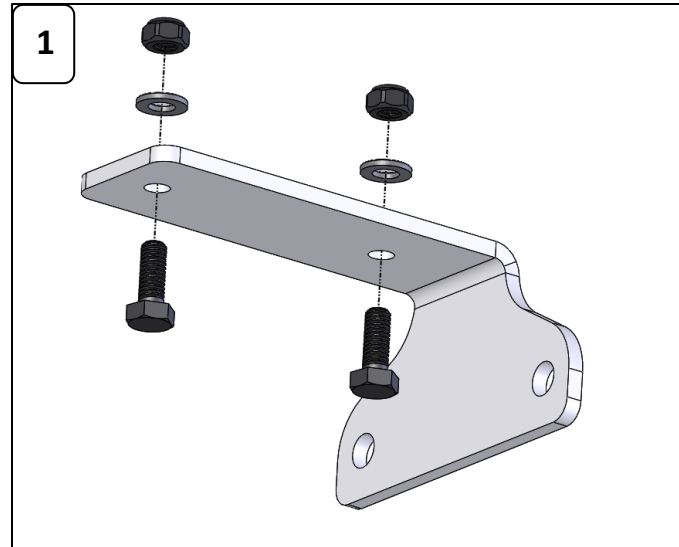
Tighten top and bottom fasteners to ensure the bushes experience a clamping force. Be careful not to overtighten- refer to OE owner's manual for correct torque settings.



RESERVOIR MOUNTING SEQUENCE

(RIGHT HAND SIDE)

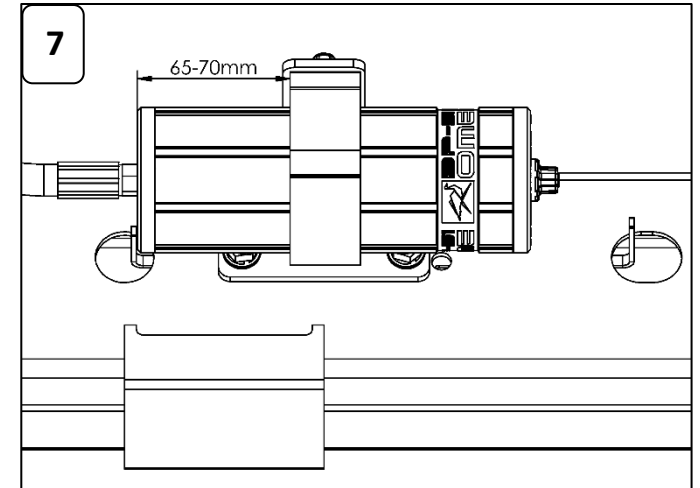
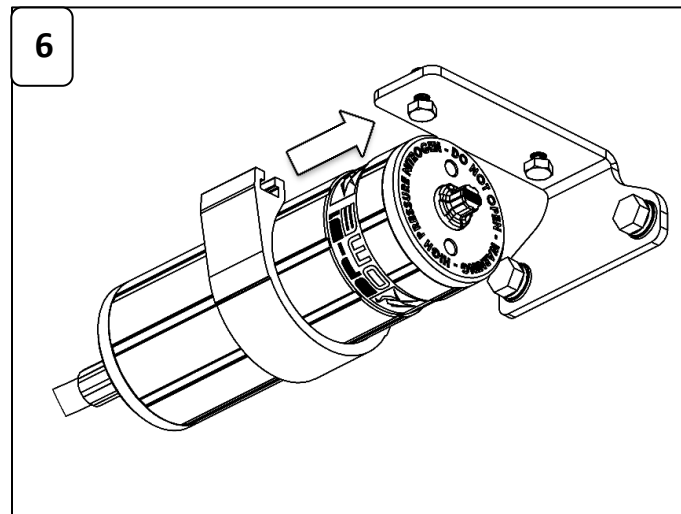
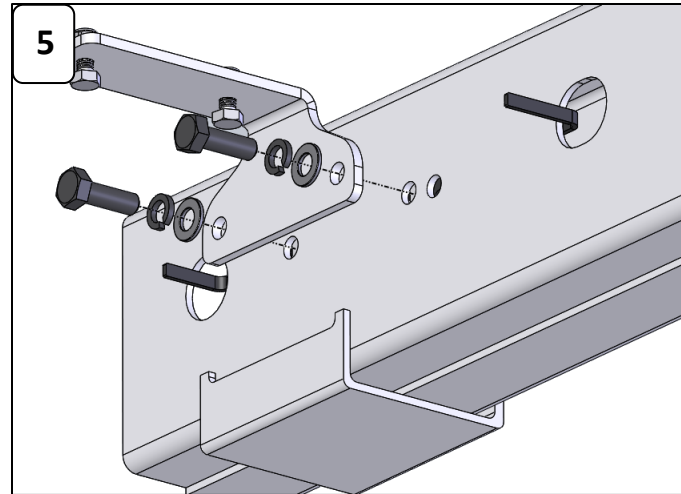
1. Pre assemble M6 bolts (**VD60030003**), washers (**VE70020005**) and nuts (**VD60010003**) to the reservoir bracket as shown. Note: washers on the nut side.
2. Bend the nut plates (**VE10040004**) and (**VE10040005**) as shown.
3. Pre-assembly the cage nuts (**6151303**) to the nut plates (**VE10040004**) and (**VE10040005**).
4. Locate the hole positions on the chassis rail above the wheel.



RESERVOIR MOUNTING SEQUENCE

(RIGHT HAND SIDE CONTINUED...)

5. Fit the pre-assembled bracket to the vehicle using the pre-assembled nut plates, M8 bolt (6151546), spring washers (4581047) and flat washers (VE70020004) as shown. Securely fasten the M8 bolts.
Torque to 30 N.m (22 lbf.ft).
6. Slide the reservoir saddle onto the reservoir and over the heads of the bolt as shown.
7. Centralise the saddle on the plate and adjust the position of the reservoir as shown.
8. Securely fastener M6 nuts.
Torque to 12 N.m (9 lbf.ft).



DAMPING ADJUSTMENT

These dampers have been set in the factory to be used for a vehicle with certain load.

If your load or accessory fitment differs, use the table below as a guide for recommended compression and rebound adjuster settings.

Part Number	Rear Pay Load (kg)	Compression	Rebound
Factory setting		0	3
BP5160027L&R	0 - 150	0-3	0-3
	150 - 300	3-6	3-16
	300 - 600	6-10	6-10
BP5160037L&R	300 - 600	0-3	0-3
	600 - 900	3-6	3-6
	900 - 1080	6-10	6-10

SPECIFICATIONS

- | | | |
|---|-------------------|--------|
| 1 | Extended Length | 623 mm |
| 2 | Compressed Length | 392 mm |

SPARE PARTS

Refer to Service And Part manual section:

- For BP5160027L/R see **BP-51 S&P 3.1-BP5160027L&R.**
- For BP5160037L/R see **BP-51 S&P 3.1-BP5160037L&R.**

